

INSTALLATION INSTRUCTIONS 30" (76.2 CM) FREESTANDING GAS RANGES

INSTRUCTIONS D'INSTALLATION CUISINIÈRE À GAZ AUTOPORTANTE DE 30" (76,2 CM)

Table of Contents/Table des matières

<p>RANGE SAFETY2</p> <p>INSTALLATION REQUIREMENTS3</p> <p style="padding-left: 20px;">Tools and Parts3</p> <p style="padding-left: 20px;">Location Requirements3</p> <p style="padding-left: 20px;">Gas Supply Requirements5</p> <p>INSTALLATION INSTRUCTIONS6</p> <p style="padding-left: 20px;">Unpack Range.....6</p> <p style="padding-left: 20px;">Install Anti-Tip Bracket6</p> <p style="padding-left: 20px;">Make Gas Connection7</p> <p style="padding-left: 20px;">Verify Anti-Tip Bracket Location8</p> <p style="padding-left: 20px;">Level Range.....8</p> <p style="padding-left: 20px;">Check Operation9</p> <p style="padding-left: 20px;">Check Operation of Oven/Broil Burner.....9</p> <p style="padding-left: 20px;">Complete Installation10</p> <p>GAS CONVERSIONS.....11</p> <p style="padding-left: 20px;">LP Gas Conversion11</p> <p style="padding-left: 20px;">Pilot and Bypass Screws Conversion.....13</p> <p style="padding-left: 20px;">Complete Conversion13</p> <p style="padding-left: 20px;">Natural Gas Conversion13</p> <p style="padding-left: 20px;">Pilot and Bypass Screws Conversion.....15</p> <p style="padding-left: 20px;">Complete Conversion15</p>	<p>SÉCURITÉ DE LA CUISINIÈRE16</p> <p>EXIGENCES D'INSTALLATION17</p> <p style="padding-left: 20px;">Outillage et composants17</p> <p style="padding-left: 20px;">Exigences d'emplacement.....17</p> <p style="padding-left: 20px;">Spécifications de l'alimentation en gaz19</p> <p>INSTRUCTIONS D'INSTALLATION.....21</p> <p style="padding-left: 20px;">Déballage de la cuisinière21</p> <p style="padding-left: 20px;">Installation de la bride antibasculement21</p> <p style="padding-left: 20px;">Raccordement au gaz22</p> <p style="padding-left: 20px;">Vérification de l'emplacement de la bride antibasculement.....23</p> <p style="padding-left: 20px;">Réglage de l'aplomb de la cuisinière24</p> <p style="padding-left: 20px;">Contrôle du fonctionnement24</p> <p style="padding-left: 20px;">Contrôle du fonctionnement du four/brûleur du gril.....25</p> <p style="padding-left: 20px;">Achever l'installation26</p> <p>CONVERSIONS POUR CHANGEMENT DE GAZ27</p> <p style="padding-left: 20px;">Conversion pour l'alimentation au propane.....27</p> <p style="padding-left: 20px;">Conversion des veilleuses et des vis de dérivation29</p> <p style="padding-left: 20px;">Terminer la conversion29</p> <p style="padding-left: 20px;">Conversion au gaz naturel30</p> <p style="padding-left: 20px;">Conversion des veilleuses et des vis de dérivation31</p> <p style="padding-left: 20px;">Terminer la conversion.....32</p>
---	--

IMPORTANT:

Save for local electrical inspector's use.

Installer: Leave installation instructions with the homeowner.

Homeowner: Keep installation instructions for future reference.

IMPORTANT :

À conserver pour consultation par l'inspecteur local des installations électriques.

Installateur : Remettre les instructions d'installation au propriétaire.

Propriétaire : Conserver les instructions d'installation pour référence ultérieure.

RANGE SAFETY

Your safety and the safety of others are very important.

We have provided many important safety messages in this manual and on your appliance. Always read and obey all safety messages.



This is the safety alert symbol.

This symbol alerts you to potential hazards that can kill or hurt you and others.

All safety messages will follow the safety alert symbol and either the word “DANGER” or “WARNING.” These words mean:

⚠ DANGER

You can be killed or seriously injured if you don't immediately follow instructions.

⚠ WARNING

You can be killed or seriously injured if you don't follow instructions.

All safety messages will tell you what the potential hazard is, tell you how to reduce the chance of injury, and tell you what can happen if the instructions are not followed.

WARNING: If the information in this manual is not followed exactly, a fire or explosion may result causing property damage, personal injury or death.

- Do not store or use gasoline or other flammable vapors and liquids in the vicinity of this or any other appliance.
- **WHAT TO DO IF YOU SMELL GAS:**
 - Do not try to light any appliance.
 - Do not touch any electrical switch.
 - Do not use any phone in your building.
 - Immediately call your gas supplier from a neighbor's phone. Follow the gas supplier's instructions.
 - If you cannot reach your gas supplier, call the fire department.
- Installation and service must be performed by a qualified installer, service agency or the gas supplier.

WARNING: Gas leaks cannot always be detected by smell.

Gas suppliers recommend that you use a gas detector approved by UL or CSA.

For more information, contact your gas supplier.

If a gas leak is detected, follow the “What to do if you smell gas” instructions.

In the State of Massachusetts, the following installation instructions apply:

- Installations and repairs must be performed by a qualified or licensed contractor, plumber, or gasfitter qualified or licensed by the State of Massachusetts.
- If using a ball valve, it shall be a T-handle type.
- A flexible gas connector, when used, must not exceed 3 feet.

⚠ WARNING

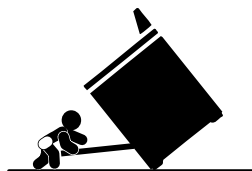
Tip Over Hazard

A child or adult can tip the range and be killed.

Connect anti-tip bracket to rear range foot.

Reconnect the anti-tip bracket, if the range is moved.

Failure to follow these instructions can result in death or serious burns to children and adults.



INSTALLATION REQUIREMENTS

Tools and Parts

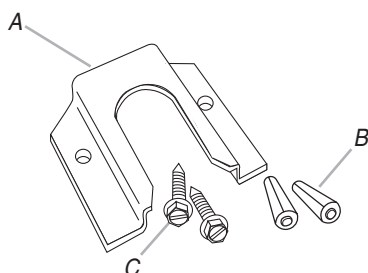
Gather the required tools and parts before starting installation. Read and follow the instructions provided with any tools listed here.

Tools needed

- Level
- 3/8" drive ratchet
- Tape measure
- Flat-blade screwdriver
- Phillips screwdriver
- Hand or electric drill
- Wrench or pliers
- 7 mm combination wrench
- Pipe wrench
- 1/8" (3.2 mm) drill bit (for wood floors)
- 3/16" (4.8 mm) carbide-tipped masonry drill bit (for concrete/ceramic floors)
- Pipe-joint compound resistant to LP gas
- Noncorrosive leak-detection solution

Parts supplied

Check that all parts are included.



A. Anti-tip bracket
B. Plastic anchors (2)
C. #10 x 1" screws (2)

- Anti-tip bracket must be securely mounted to subfloor. Thickness of flooring may require longer screws to anchor bracket to subfloor. Longer screws are available from your local hardware store.

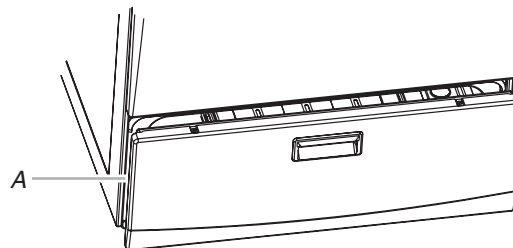
Parts needed

Check local codes and consult gas supplier. Check existing gas supply. See "Gas Supply Requirements" section.

Location Requirements

IMPORTANT: Observe all governing codes and ordinances. Do not obstruct flow of combustion and ventilation air.

- It is the installer's responsibility to comply with installation clearances specified on the model/serial rating plate. The model/serial rating plate is located on the oven frame behind the left side of the broiler door.



- The range should be located for convenient use in the kitchen.
- Recessed installations must provide complete enclosure of the sides and rear of the range.
- To eliminate the risk of burns or fire by reaching over heated surface units, cabinet storage space located above the surface units should be avoided. If cabinet storage is to be provided, the risk can be reduced by installing a range hood that projects horizontally a minimum of 5" (12.7 cm) beyond the bottom of the cabinets.
- All openings in the wall or floor where range is to be installed must be sealed.
- Do not seal the range to the side cabinets.
- Cabinet opening dimensions that are shown must be used. Given dimensions are minimum clearances.
- The floor anti-tip bracket must be installed. To install the anti-tip bracket shipped with the range, see "Install Anti-Tip Bracket" section.
- Grounded electrical supply is required. See "Electrical Requirements" section. Proper gas supply connection must be available. See "Gas Supply Requirements" section.
- Contact a qualified floor covering installer to check that the floor covering can withstand at least 200°F (93°C).
- Use an insulated pad or 1/4" (0.64 cm) plywood under range if installing range over carpeting.

IMPORTANT: To avoid damage to your cabinets, check with your builder or cabinet supplier to make sure that the materials used will not discolor, delaminate or sustain other damage. This oven has been designed in accordance with the requirements of UL and CSA International and complies with the maximum allowable wood cabinet temperatures of 194° (90°C).

Mobile Home - Additional Installation Requirements

The installation of this range must conform to the Manufactured Home Construction and Safety Standard, Title 24 CFR, Part 3280 (formerly the Federal Standard for Mobile Home Construction and Safety, Title 24, HUD Part 280). When such standard is not applicable, use the Standard for Manufactured Home Installations, ANSI A225.1/NFPA 501A or with local codes.

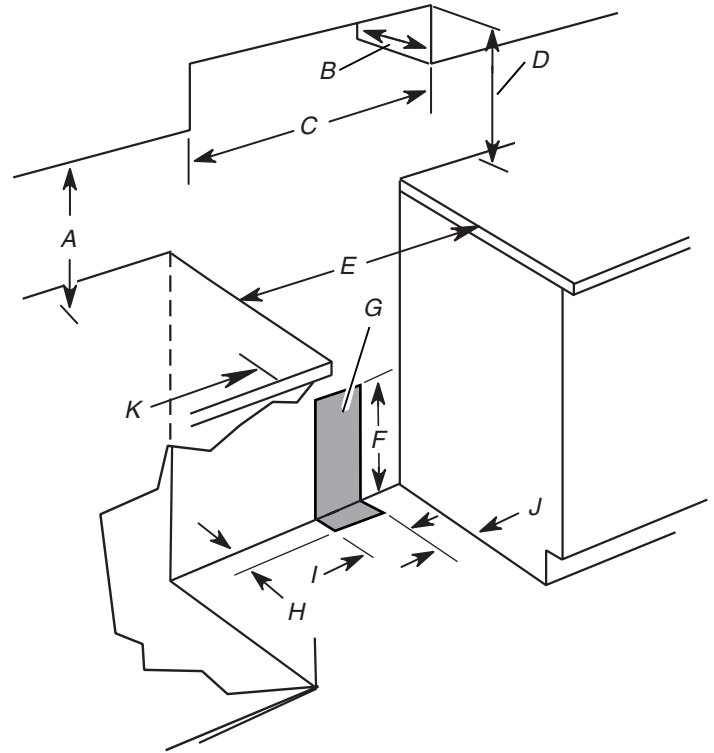
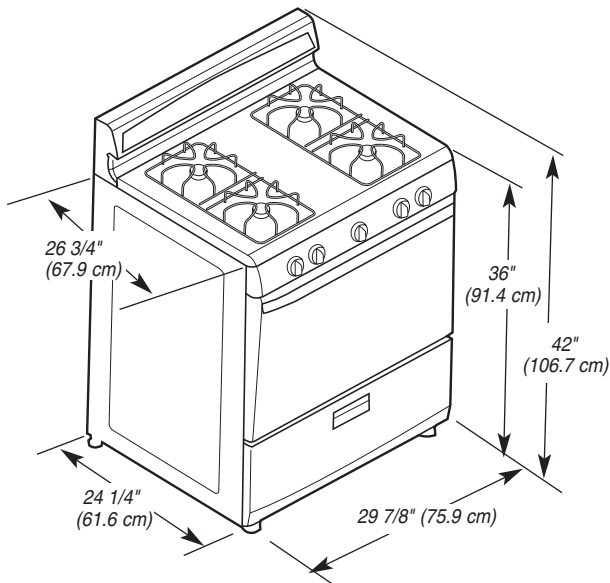
In Canada, the installation of this range must conform with the current standards CAN/CSA-A240 - latest edition, or with local codes.

Mobile home installations require:

- When this range is installed in a mobile home, it must be secured to the floor during transit. Any method of securing the range is adequate as long as it conforms to the standards listed above.

Product Dimensions

Freestanding Range



- A. 18" (45.7 cm) min. clearance upper side cabinet to countertop
- B. 13" (33 cm) max. upper cabinet depth
- C. 30" (76.2 cm) min. opening width
- D. For minimum clearance to top of cooktop, see NOTE*.
- E. 30 1/8" (76.5 cm) min. opening width
- F. 17" (43.2 cm)
- G. This shaded area recommended for installation of rigid gas pipe.
- H. 2" (5.1 cm)
- I. 4" (10 cm)
- J. 2" (5.1 cm)
- K. 2" (5.1 cm) min. clearance from both sides of range to side wall or other combustible material.

*NOTE: 24" (61.0 cm) minimum when bottom of wood or metal cabinet is covered by not less than 1/4" (0.64 cm) flame retardant millboard covered with not less than No. 28 MSG sheet steel, 0.015" (0.4 mm) stainless steel, 0.024" (0.6 mm) aluminum or 0.020" (0.5 mm) copper.

30" (76.2 cm) minimum clearance between the top of the cooking platform and the bottom of an uncovered wood or metal cabinet.

IMPORTANT: Some cabinet and building materials are not designed to withstand the heat produced by the oven for baking and self-cleaning. Check with your builder or cabinet supplier to make sure that the materials used will not discolor, delaminate or sustain other damage.

Installation Clearances

Cabinet opening dimensions shown are for 25" (64.0 cm) countertop depth, 24" (61.0 cm) base cabinet depth and 36" (91.4 cm) countertop height.

If the cabinet depth is greater than 24" (61.0 cm), oven frame must extend beyond cabinet fronts by 1/2" (13.0 mm) minimum.

IMPORTANT: If installing a range hood or microwave hood combination above the range, follow the range hood or microwave hood combination installation instructions for dimensional clearances above the cooktop surface.

Gas Supply Requirements

⚠ WARNING



Explosion Hazard

Use a new CSA International approved gas supply line.

Install a shut-off valve.

Securely tighten all gas connections.

If connected to LP, have a qualified person make sure gas pressure does not exceed 14" (36 cm) water column.

Examples of a qualified person include:

licensed heating personnel,
authorized gas company personnel, and
authorized service personnel.

Failure to do so can result in death, explosion, or fire.

Observe all governing codes and ordinances.

IMPORTANT: This installation must conform with all local codes and ordinances. In the absence of local codes, installation must conform with American National Standard, National Fuel Gas Code ANSI Z223.1 - latest edition or CAN/CGA B149 - latest edition.

IMPORTANT: Leak testing of the range must be conducted according to the manufacturer's instructions.

Type of Gas

Natural gas:

This range is design-certified by CSA International for use with Natural gas or, after proper conversion, for use with LP gas.

- This range is factory set for use with Natural gas. See "Gas Conversions" section. The model/serial rating plate located behind the storage drawer on the right-hand side oven door frame has information on the types of gas that can be used. If the types of gas listed do not include the type of gas available, check with the local gas supplier.

LP gas conversion:

Conversion must be done by a qualified service technician.

No attempt shall be made to convert the appliance from the gas specified on the model/serial rating plate for use with a different gas without consulting the serving gas supplier. See "Gas Conversions" section.

Gas Supply Line

- Provide a gas supply line of $\frac{3}{4}$ " (1.9 cm) rigid pipe to the range location. A smaller size pipe on longer runs may result in insufficient gas supply. With LP gas, piping or tubing size can be $\frac{1}{2}$ " (1.3 cm) minimum. Usually, LP gas suppliers determine the size and materials used in the system.

NOTE: Pipe-joint compounds that resist the action of LP gas must be used. Do not use TEFLON[®] tape.

Flexible metal appliance connector:

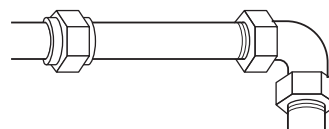
- If local codes permit, a new CSA design-certified, 4 to 5 ft (122 to 152.4 cm) long, $\frac{1}{2}$ " (1.3 cm) or $\frac{3}{4}$ " (1.9 cm) I.D., flexible metal appliance connector may be used for connecting range to the gas supply line.



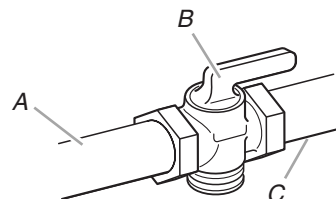
- A $\frac{1}{2}$ " (1.3 cm) male pipe thread is needed for connection to the female pipe threads of the inlet to the appliance pressure regulator.
- Do not kink or damage the flexible metal tubing when moving the range.

Rigid pipe connection:

The rigid pipe connection requires a combination of pipe fittings to obtain an in-line connection to the range. The rigid pipe must be level with the range connection. All strains must be removed from the supply and fuel lines so range will be level and in line.



- Must include a shutoff valve:
The supply line must be equipped with a manual shutoff valve. This valve should be located in the same room but external to the range opening, such as an adjacent cabinet. It should be in a location that allows ease of opening and closing. Do not block access to shutoff valve. The valve is for turning on or shutting off gas to the range.



A. Gas supply line
B. Shutoff valve "open" position
C. To range

Gas Pressure Regulator

The gas pressure regulator supplied with this range must be used. The inlet pressure to the regulator should be as follows for proper operation:

Natural gas:

Minimum pressure: 5" WCP

Maximum pressure: 14" WCP

LP gas:

Minimum pressure: 11" WCP

Maximum pressure: 14" WCP

Contact local gas supplier if you are not sure about the inlet pressure.

Burner Input Requirements

Input ratings shown on the model/serial rating plate are for elevations up to 2,000 ft (609.6 m).

For elevations above 2,000 ft (609.6 m), ratings are reduced at a rate of 4% for each 1,000 ft (304.8 m) above sea level (not applicable for Canada).

Gas Supply Pressure Testing

Gas supply pressure for testing regulator must be at least 1" water column pressure above the manifold pressure shown on the model/serial rating plate.

†TEFLON is a registered trademark of E.I. Du Pont De Nemours and Company.

Line pressure testing above ½ psi gauge (14" WCP)

The range and its individual shutoff valve must be disconnected from the gas supply piping system during any pressure testing of that system at test pressures in excess of ½ psi (3.5 kPa).

Line pressure testing at ½ psi gauge (14" WCP) or lower

The range must be isolated from the gas supply piping system by closing its individual manual shutoff valve during any pressure testing of the gas supply piping system at test pressures equal to or less than ½ psi (3.5 kPa).

INSTALLATION INSTRUCTIONS

Unpack Range

! WARNING

Excessive Weight Hazard

Use two or more people to move and install range.
Failure to do so can result in back or other injury.

1. Do not use oven door handle to lift or move the range
2. Remove shipping materials, tape and film from range. Keep cardboard bottom under range.
3. Remove oven racks and parts package from inside oven.
4. To place range on its back, take 4 cardboard corners from the carton. Stack one cardboard corner on top of another. Repeat with the other 2 corners. Place them lengthwise on the floor behind the range to support the range when it is laid on its back.
5. Using 2 or more people, firmly grasp the range and gently lay it on its back on the cardboard corners.
6. Pull cardboard bottom firmly to remove.
7. Use an adjustable wrench to loosen the leveling legs. Adjust the leveling legs to the correct height. Leveling legs can be loosened to add up to a maximum of 1" (2.5 cm). A minimum of ⅜" (0.5 cm) is needed to engage the anti-tip bracket.
NOTE: If height adjustment is made when range is standing, tilt the range back to adjust the front legs, then tilt forward to adjust the rear legs.
8. Place cardboard or hardboard in front of range. Using 2 or more people, stand range back up onto cardboard or hardboard.

Install Anti-Tip Bracket

Contact a qualified floor covering installer for the best procedure for drilling mounting holes through your type of floor covering.

! WARNING

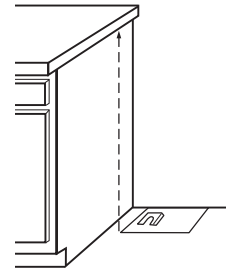


Tip Over Hazard

A child or adult can tip the range and be killed.
Connect anti-tip bracket to rear range foot.
Reconnect the anti-tip bracket, if the range is moved.
Failure to follow these instructions can result in death or serious burns to children and adults.

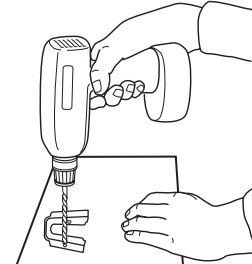
Before moving range, slide range onto shipping base, cardboard or hardboard.

1. Remove template from the anti-tip bracket kit (found inside the oven cavity) or from the back of this manual.
2. Place template on the floor in cabinet opening so that the left edge is against cabinet and top edge is against rear wall, molding or cabinet.
3. Tape template into place.
4. If countertop is not flush with cabinet opening edge, align template with overhang.



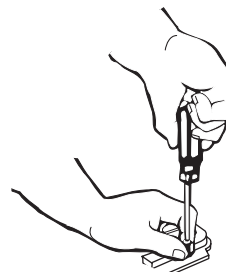
If cabinet opening is wider than that specified in the "Location Requirements" section, adjust template so range will be centered in cabinet opening.

5. To mount anti-tip bracket to wood floor, drill two ⅛" (3.2 mm) holes at the positions marked on the bracket template. Remove template from floor.



To mount anti-tip bracket to concrete or ceramic floor, use a ⅜" (0.48 cm) masonry drill bit to drill 2 holes at the positions marked on the bracket template. Remove template from floor.

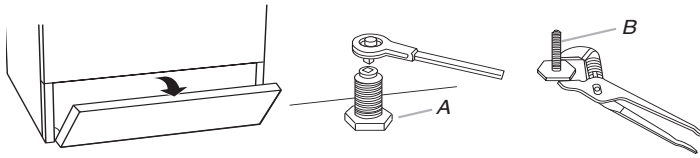
6. Tap plastic anchors into holes with a hammer.
7. Align anti-tip bracket holes with holes in floor. Fasten anti-tip bracket with screws provided.



Depending on the thickness of your flooring, longer screws may be necessary to anchor the bracket to the subfloor. Longer screws are available from your local hardware store.

8. Move range close enough to opening to allow for final gas connection. Remove shipping base, cardboard or hardboard from under range.

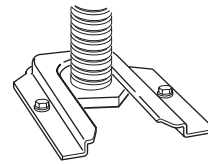
- Open the broiler door. Use a $\frac{3}{8}$ " drive ratchet to lower the rear leveling legs one-half turn. Use a wrench or pliers to lower the front leveling legs one-half turn.



A. Rear leveling leg
B. Front leveling leg

- Adjust the leveling legs to the correct height. Leveling legs can be loosened to add up to a maximum of 1" (2.5 cm). A minimum of $\frac{3}{16}$ " (0.48 cm) is needed to engage the anti-tip bracket.

- Move range into its final location making sure rear leveling leg slides into anti-tip bracket.



- If installing the range in a mobile home, you must secure the range to the floor. Any method of securing the range is adequate as long as it conforms to the standards in the "Location Requirements" section.
- Continue installing your range using the following installation instructions.

Make Gas Connection

WARNING



Explosion Hazard

Use a new CSA International approved gas supply line.

Install a shut-off valve.

Securely tighten all gas connections.

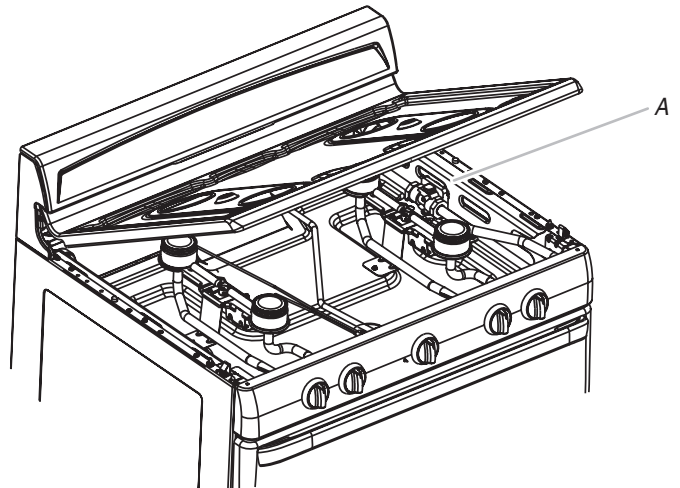
If connected to LP, have a qualified person make sure gas pressure does not exceed 14" (36 cm) water column.

Examples of a qualified person include:

licensed heating personnel,
authorized gas company personnel, and
authorized service personnel.

Failure to do so can result in death, explosion, or fire.

- Locate gas pressure regulator inside the burner box.



A. Gas pressure regulator

IMPORTANT: Do not remove the gas pressure regulator.

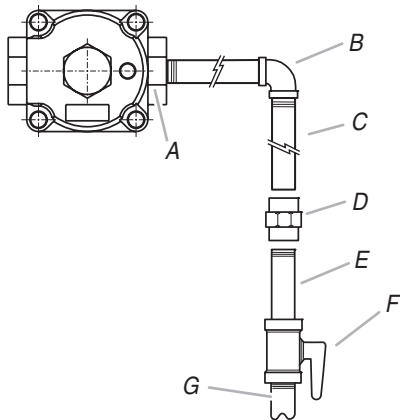
- All connections should go over and through the burner box and follow down the range back.

- Remove grates.
- Lift the cooktop by both front corners until the side support rods snap into place.

Typical rigid pipe connection

A combination of pipe fittings must be used to connect the range to the existing gas line. Your connections may be different; according to the supply line type, size and location.

1. Apply pipe-joint compound made for use with LP gas to all pipe thread connections.
2. Using a pipe wrench to tighten, connect the gas supply to the range.

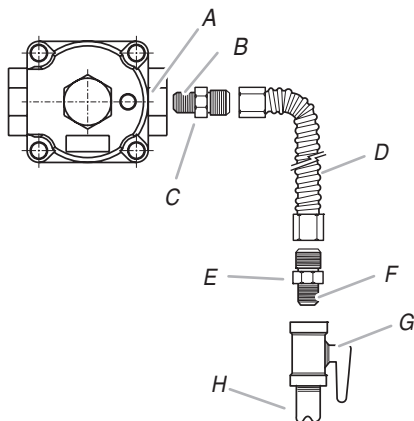


A. Pressure regulator connection fitting
B. 90° elbow
C. Black iron pipe

D. Union
E. Nipple
F. Manual shutoff valve
G. 1/2" or 3/4" gas pipe

Typical flexible connection

1. Use a combination wrench and pliers to attach the flexible connector to the adapters. Check that connector is not kinked.

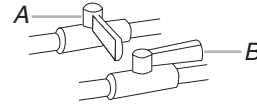


A. Pressure regulator connection fitting
B. Use pipe-joint compound.
C. Adapter
D. Flexible connector

E. Adapter
F. Use pipe-joint compound.
G. Manual shutoff valve
H. 1/2" or 3/4" gas pipe

Complete Connection

1. Open the manual shutoff valve in the gas supply line. The valve is open when the handle is parallel to the gas pipe.

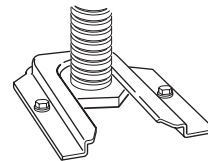


A. Closed valve
B. Open valve

2. Test all connections by brushing on an approved noncorrosive leak-detection solution. Bubbles will show a leak. Correct any leak found.
3. Push back on side support rods and slowly lower the cooktop until it snaps into place.
4. Place burners, burner caps and grates on the cooktop.

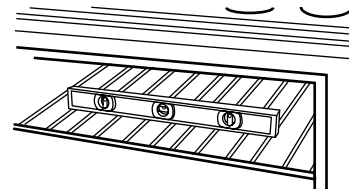
Verify Anti-Tip Bracket Location

1. Check that the anti-tip bracket is installed:
 - Look for the anti-tip bracket securely attached to the floor.
 - Slide the range back so the rear range foot is under the anti-tip bracket.



Level Range

1. Place rack in oven.
2. Place level on rack and check levelness of range, first side to side; then front to back.



3. If range is not level, pull range forward until rear leveling leg is removed from the anti-tip bracket. Use 3/8" drive ratchet and wrench or pliers to adjust leveling legs up or down until range is level.
4. Push range back into position.
5. Check that rear leveling leg is engaged in anti-tip bracket.

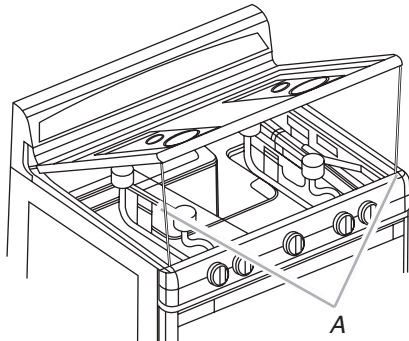
NOTE: Range must be level for satisfactory baking performance.

Check Operation

To Light Standing Pilot Lights:

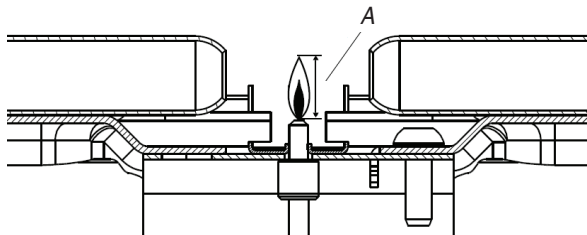
Before using the range, the standing pilots must be lit. They will stay lit after turning off the burners.

1. Make sure all controls are off and the oven and cooktop are cool.
2. Remove surface grates from the cooktop.
3. Lift the cooktop by both front corners until the side support rods snap into position.



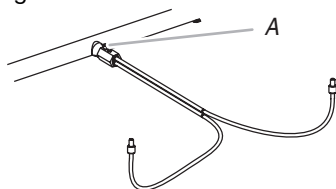
A. Side support rods

4. Using a match, light both burner pilot lights.
5. The surface pilot flames should be 0.4" to 0.6" (1.0 to 1.5 cm) high.



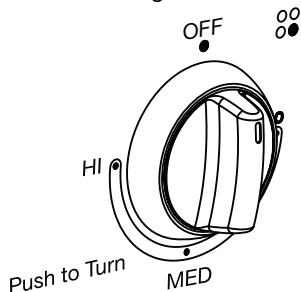
A. 0.4" - 0.6" (1.0 - 1.5 cm)

6. If the pilot flame needs adjustment, use a flat-blade screwdriver and turn the adjusting screw until the flame is of the desired height.

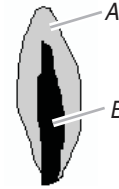


A. Adjusting screw

7. Push back on the side support rods and slowly lower the cooktop until it snaps into position.
8. Push in and turn each surface burner control knob to the "HI" position. The flame should light with 4 seconds.



9. If surface burners do not ignite, repeat steps 3 to 6.
10. Check each cooktop burner for proper flame. The small inner cone should have a very distinct blue flame 1/4" (0.64 cm) to 1/2" (1.3 cm) long. The outer cone is not as distinct as the inner cone.

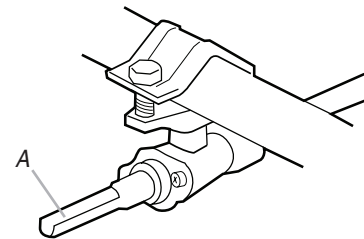


A. Outer cone
B. Inner cone

11. Turn the control knob quickly to the "LO" position after the burner lights. If the flame goes out, turn the control knob to the "OFF" position.
12. Check each cooktop burner for proper low flame. The low flame should be a minimum, steady blue flame. The flame size should be 1/4" to 3/8" (0.64 cm to 0.95 cm) high.

If the low flame needs adjusting:

1. Turn control knob to the "Lo" setting and remove control knob.
2. Insert a small flat-blade screwdriver into the valve stem. Turn the valve adjusting screw to obtain the smallest flame that will not go out when the control of a cold burner is quickly turned from "HI" to "Lo." Turn right to decrease flame height. Turn left to increase flame height. Repeat for other cooktop burners as needed.

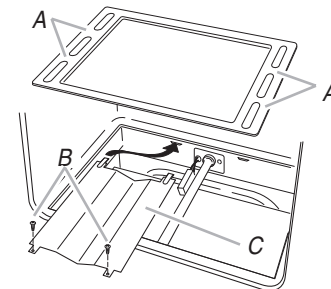


A. Valve stem

3. Replace control knob.

Check Operation of Oven/Broil Burner

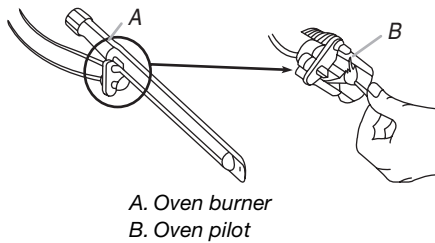
1. Make sure all controls are off and the oven is cool.
2. Open the oven door to remove oven racks and the oven bottom tray.
3. Remove the fasteners holding the flame spreader. Lift and pull out the flame spreader.



A. Oven bottom tray
B. Fasteners
C. Flame spreader

4. Locate the pilot light on the left-hand side of the oven burner.

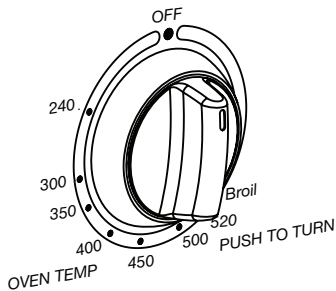
5. Push in oven control knob and hold, then ignite the oven pilot light with a match.



6. Hold the oven control knob in for 10 seconds to make sure the pilot will remain lit.
7. If the oven pilot light turns off after releasing the knob, repeat steps 5 and 6.
8. When the oven pilot remains on, replace the flame spreader, oven bottom tray and racks.

NOTE: The pilot light will stay lit after turning off the oven. The oven burner should turn on the next time a temperature is selected on the oven control knob. If the oven burner does not turn on, repeat previous steps for lighting oven pilot lights.

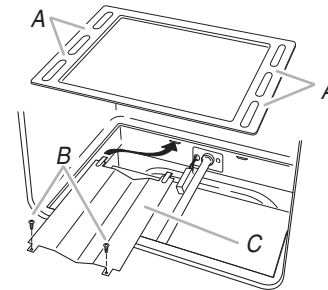
9. Open broiler door.
10. Push in and turn the oven control knob to 350°F. The oven pilot should now be larger with the flame burning against a small metal bulb. The oven burner should light in 20-40 seconds; this delay is normal. The oven valve requires a certain time before it will open and allow gas to flow.



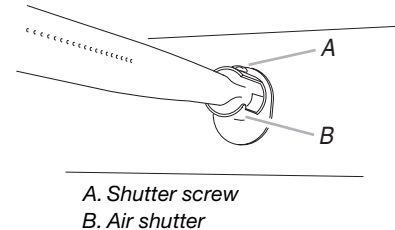
11. Check the oven burner for proper flame. The flame should be ½" (1.3 cm) long, with inner cone of bluish-green. The outer mantle should be dark blue and should be clean and soft in character. No yellow tips (not enough air), blowing or lifting (too much air) of flame should occur.

If the flame needs adjusting:

1. Turn the oven off. Wait for the oven burner to cool down.
2. Open oven door and remove oven racks, oven tray, flame spreader and set aside.



3. Locate the air shutter near the rear wall of oven and loosen the shutter screw.



4. Adjust the air shutter.
5. Turn the oven back on and check for proper flame. If the flame is still not properly adjusted, turn the oven off, wait for the oven burner to cool down and repeat Step 4 until flame is properly adjusted.
6. When the flame has been properly adjusted, turn the oven off, wait for the burner to cool down.
7. Tighten the shutter screw.
8. Reinstall flame spreader and oven tray. Reinstall the oven racks and close oven door.

Complete Installation

1. Check that all parts are now installed. If there is an extra part, go back through the steps to see which step was skipped.
2. Check that you have all of your tools.
3. Dispose of/recycle all packaging materials.
4. Check that the range is level. See "Level Range."
5. Use a mild solution of liquid household cleaner and warm water to remove waxy residue caused by shipping material. Dry thoroughly with a soft cloth. For more information, see the "Range Care" section of the Use and Care Guide.
6. Read the Use and Care Guide.
7. Turn on surface burners and oven. See the Use and Care Guide for specific instruction on range operation.

If range does not operate, check the following:

- See "Troubleshooting" in the Use and Care Guide.
- When the range has been on for 5 minutes, check for heat. If the range is cold, turn off the range and check that the gas supply line shutoff valve is open.
 - If the gas supply line shutoff valve is closed, open it, then repeat the 5-minute test as outlined above.
 - If the gas supply line shutoff valve is open, press the CANCEL button on the oven control panel and contact a qualified technician.

If you need Assistance or Service:

Please reference the "Assistance or Service" section of the Use and Care Guide or contact the dealer from whom you purchased your range.

GAS CONVERSIONS

⚠️ WARNING



Explosion Hazard

Use a new CSA International approved gas supply line.

Install a shut-off valve.

Securely tighten all gas connections.

If connected to LP, have a qualified person make sure gas pressure does not exceed 14" (36 cm) water column.

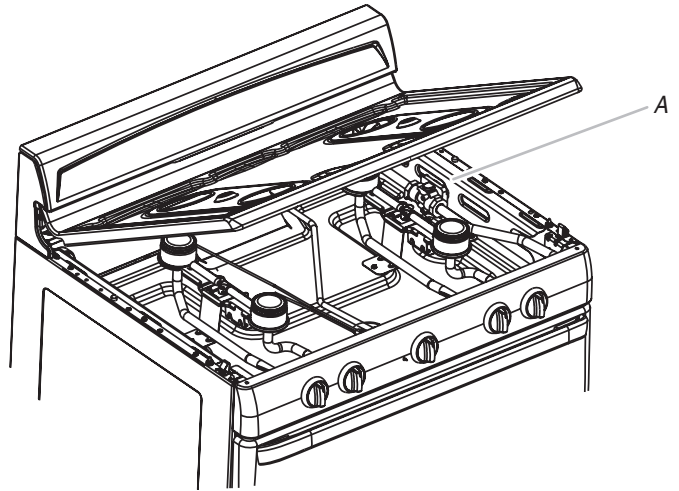
Examples of a qualified person include:

licensed heating personnel,
authorized gas company personnel, and
authorized service personnel.

Failure to do so can result in death, explosion, or fire.

Gas conversions from Natural gas to LP gas or from LP gas to Natural gas must be done by a qualified installer.

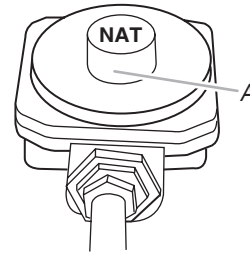
2. Remove grates.
3. Lift the cooktop by both front corners until the side support rods snap into position.
4. Locate the gas pressure regulator.



A. Gas pressure regulator

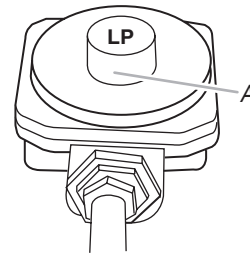
IMPORTANT: Do not remove the gas pressure regulator.

5. With a flat-blade screwdriver, remove the brass cap and flip the brass cap over so that "LP" is visible.



A. Brass cap

6. Reinstall the cap and tighten with the flat-blade screwdriver.



A. Cap

LP Gas Conversion

⚠️ WARNING



Tip Over Hazard

A child or adult can tip the range and be killed.

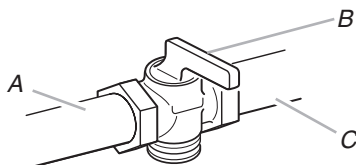
Connect anti-tip bracket to rear range foot.

Reconnect the anti-tip bracket, if the range is moved.

Failure to follow these instructions can result in death or serious burns to children and adults.

To Convert Gas Pressure Regulator

1. Turn manual shutoff valve to the "closed" position



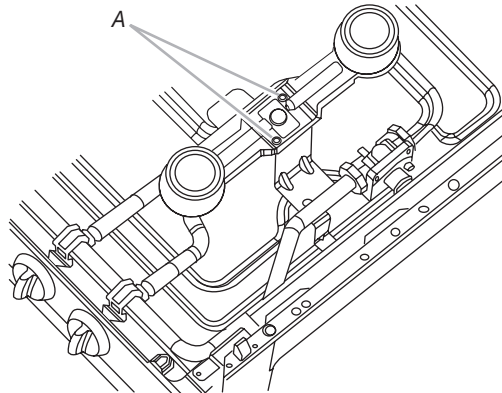
A. To range

B. Manual shutoff valve "closed" position

C. Gas supply line

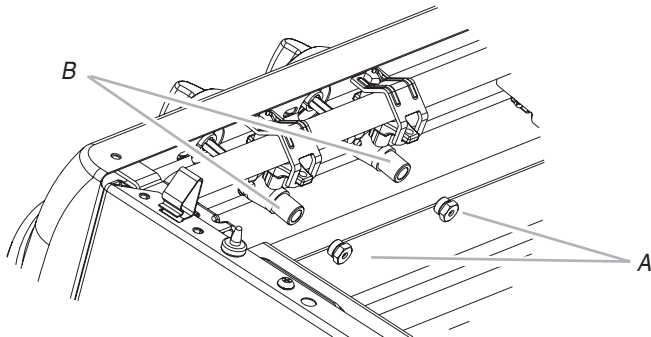
To Convert Surface Burners

1. Remove grates from cooktop
2. Lift the cooktop by both front corners until the side support rods snap into position.
3. Remove the screws that hold each dual burner.



A. Dual burner screws

4. Lift each burner and slip it back to remove it.
5. Set them aside.
6. Locate LP gas orifice spuds for top burners in the bag containing literature included with the range. Four LP gas spuds are stamped "67."
7. Remove Natural gas orifice spuds from the valve using a $\frac{3}{8}$ " (0.95 cm) combination wrench.
8. Install LP gas orifice spuds in the valves.

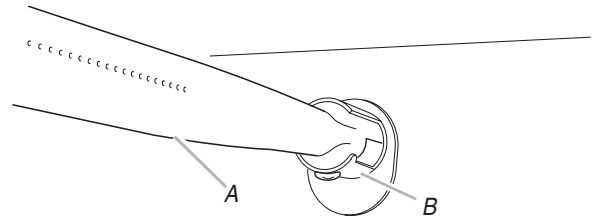


A. Orifice spuds
B. Valves

9. Place the Natural gas orifice spuds in the parts bag for future use and keep with the bag containing literature.
10. Replace grates.

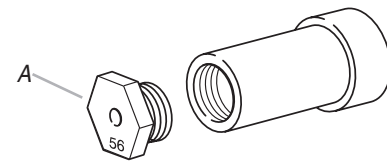
To Convert Oven Burner

1. Open the oven door and remove oven racks, oven tray, flame spreader and set aside.
2. Lift oven burner. The orifice spud is behind the oven burner air shutter.



A. Air shutter

3. Locate LP gas orifice spud stamped "56" in the bag containing literature supplied with the range.
4. Use a $\frac{3}{8}$ " combination wrench and remove the Natural gas orifice spud.
5. Install the number "56" LP gas spud.



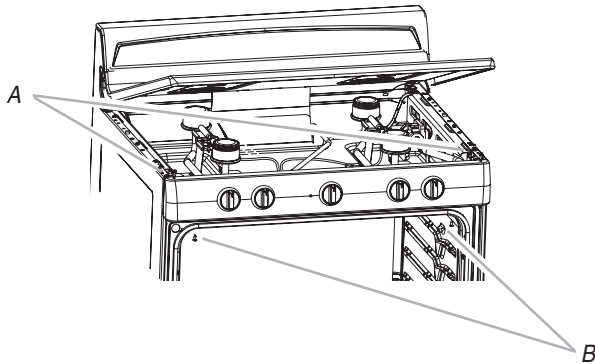
A. LP oven orifice spud stamped with "56"

IMPORTANT: Do not overtighten.

6. Place Natural gas oven burner spud in plastic parts bag along with Natural gas cooktop burner spuds for future use and keep with the bag containing literature.
7. Reinstall oven burner.
8. Reinstall oven racks, oven tray and flame spreader.

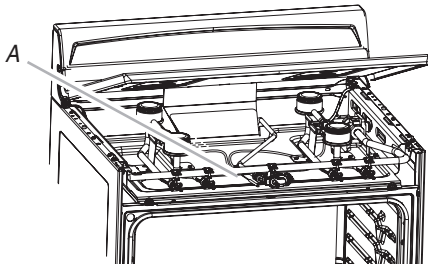
Pilot and Bypass Screws Conversion

1. Remove control knobs and set aside.
2. Remove upper grates.
3. Lift the cooktop by both front corners until the side support rods snap into position.
4. Open oven door.
5. Locate the two top fasteners and two bottom fasteners and remove them using a Phillips head screwdriver.



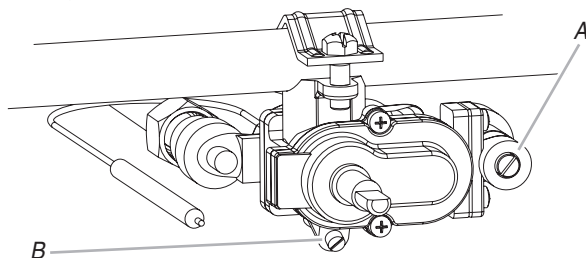
A. Top fasteners
B. Bottom fasteners

6. Set the front panel aside and locate the oven thermostat.



A. Oven thermostat

7. Locate the LP gas bypass screw in the bag containing literature included with the range. One LP gas bypass screw is stamped "48."
8. Remove the Natural gas bypass screw with a flat-blade screwdriver, turning counterclockwise.
9. Install the LP gas bypass screw with a flat-blade screwdriver, turning clockwise.



A. Pilot screw
B. Bypass screw

10. Locate the LP gas pilot screw in the bag containing literature included with the range. One LP gas pilot screw is stamped "15."
11. Remove Natural gas pilot screw with a flat-blade screwdriver, turning counterclockwise.

12. Install the LP gas pilot screw with a flat-blade screwdriver, turning clockwise.
13. Replace the front panel and screw bottom and top fasteners in place.
14. Replace the control knobs. Push back on the side support rods and slowly lower the cooktop until it snaps into position. Close the oven door.

Complete Conversion

1. Refer to the "Make Gas Connection" section for properly connecting the range to the gas supply.
2. Turn the manual shutoff valve in the gas supply line to the open position.
3. Refer to the "Check Operation" section for proper burner ignition, operation and burner flame adjustments.

IMPORTANT: You may have to adjust the "LO" setting for each cooktop burner.

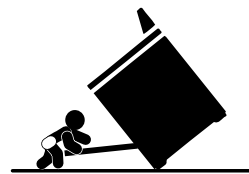
Checking for proper cooktop and oven burner flames is very important. The small inner cone should have a very distinct blue flame $\frac{1}{4}$ " to $\frac{1}{2}$ " (0.64 cm to 1.3 cm) long. The outer cone is not as distinct as the inner cone. LP gas flames have a slightly yellow tip.

4. Close the broiler door and turn the knob to "OFF."
5. Refer to the "Complete Installation" section to complete this procedure.

Natural Gas Conversion

To Convert Gas Pressure Regulator

WARNING



Tip Over Hazard

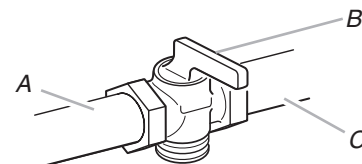
A child or adult can tip the range and be killed.

Connect anti-tip bracket to rear range foot.

Reconnect the anti-tip bracket, if the range is moved.

Failure to follow these instructions can result in death or serious burns to children and adults.

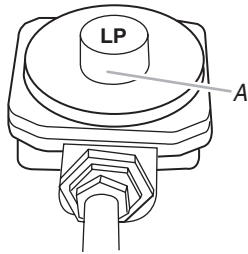
1. Turn manual shutoff valve to the "closed" position.



A. To range
B. Manual shutoff valve "closed" position
C. Gas supply line

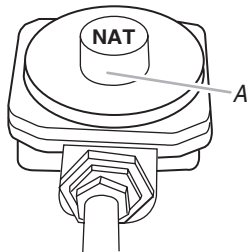
2. Remove grates.
3. Lift the cooktop by both front corners until the side support rods snap into position.

4. Locate the gas pressure regulator.
IMPORTANT: Do not remove the gas pressure regulator.
5. With a flat-blade screwdriver, remove the brass cap and flip the brass cap over so that "NAT" is visible.



A. Brass cap

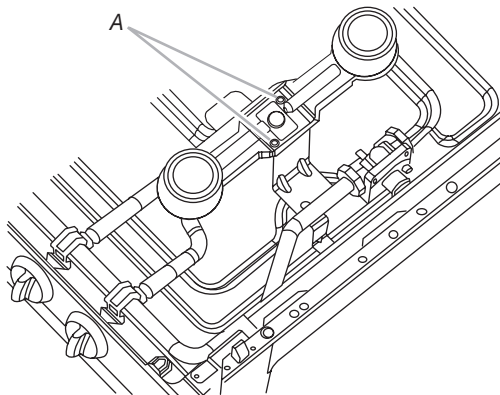
6. Reinstall the cap and tighten with the flat-blade screwdriver.



A. Cap

To Convert Surface Burners

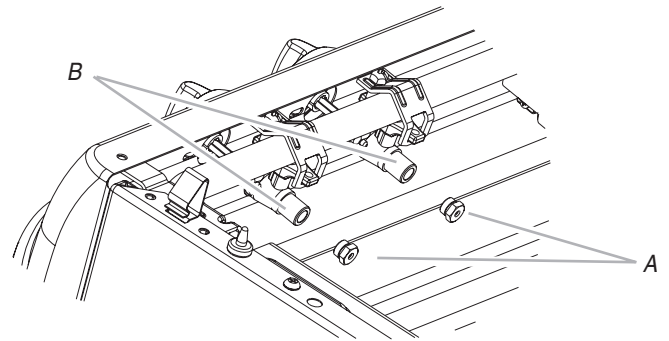
1. Remove grates from cooktop
2. Lift the cooktop by both front corners until the side support rods snap into position.
3. Remove the screws that hold each dual burner.



A. Dual burner screws

4. Lift each burner and slip it back to remove it.
5. Set them aside.
6. Locate Natural gas orifice spuds for top burners in the bag containing literature included with the range. Four Natural gas spuds are stamped "1.42."
7. Remove the LP gas orifice spuds from the valve using a $\frac{3}{8}$ " (0.95 cm) combination wrench.

8. Install Natural gas orifice spuds in the valves.

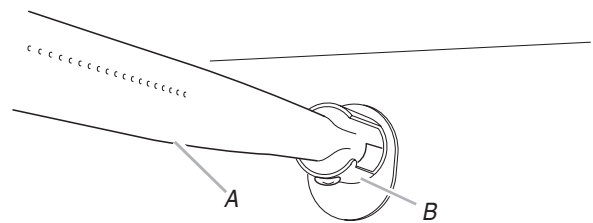


A. Orifice spuds
B. Valves

9. Place the LP gas orifice spuds in the parts bag for future use and keep with the bag containing literature.
10. Push back on the side support rods and slowly lower the cooktop until it snaps into position.
11. Replace grates.

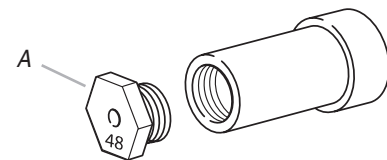
To Convert Oven Burner

1. Open the oven door and remove oven racks, oven tray, flame spreader and set aside.
2. Lift oven burner. The orifice spud is behind the oven burner air shutter.



A. Air shutter

3. Locate Natural gas orifice spud stamped "48" in the bag containing literature supplied with the range.
4. Use a $\frac{3}{8}$ " combination wrench and remove the Natural gas orifice spud.

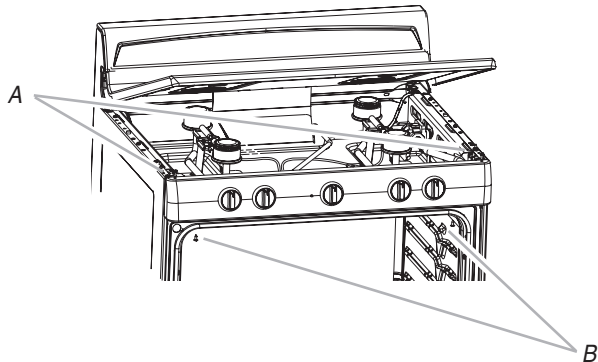


A. LP oven orifice spud stamped with "48"

5. Install the number "48" Natural gas spud.
IMPORTANT: Do not overtighten.
6. Place LP gas oven burner spud in plastic parts bag along with Natural gas cooktop burner spuds for future use and keep with the bag containing literature.
7. Reinstall oven burner.
8. Reinstall oven racks, oven tray and flame spreader.

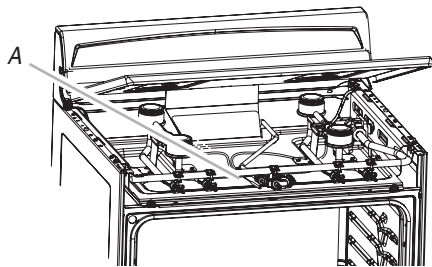
Pilot and Bypass Screws Conversion

1. Remove control knobs and set aside.
2. Remove upper grates.
3. Lift the cooktop by both front corners until the side support rods snap into position.
4. Open oven door.
5. Locate the two top fasteners and two bottom fasteners and remove them using a Phillips head screwdriver.



A. Top fasteners
B. Bottom fasteners

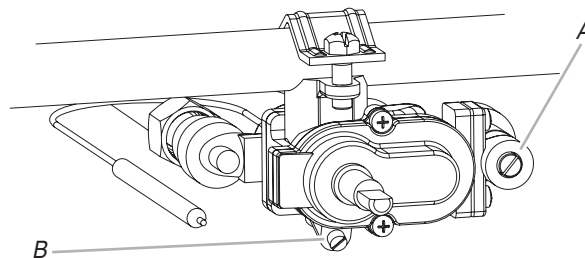
6. Set the front panel aside and locate the oven thermostat.



A. Oven thermostat

7. Locate the Natural gas bypass screw in the bag containing literature included with the range. One LP gas bypass screw is stamped "76."

8. Remove the LP gas bypass screw with a flat-blade screwdriver, turning counterclockwise.
9. Install the Natural gas bypass screw with a flat-blade screwdriver, turning clockwise.



A. Pilot screw
B. Bypass screw

10. Locate the Natural gas pilot screw in the bag containing literature included with the range. One Natural gas pilot screw is stamped "94."
11. Remove LP gas pilot screw with a flat-blade screwdriver, turning counterclockwise.
12. Install the Natural gas pilot screw with a flat-blade screwdriver, turning clockwise.
13. Replace the front panel and screw bottom and top fasteners in place.
14. Replace the control knobs. Push back on the side support rods and slowly lower the cooktop until it snaps into position. Close the oven door.

Complete Conversion

1. Refer to the "Make Gas Connection" section for properly connecting the range to the gas supply.
2. Turn the manual shutoff valve in the gas supply line to the open position.
3. Refer to the "Check Operation" section for proper burner ignition, operation and burner flame adjustments.

IMPORTANT: You may have to adjust the "LO" setting for each cooktop burner.

Checking for proper cooktop and oven burner flames is very important. The small inner cone should have a very distinct blue flame $\frac{1}{4}$ " to $\frac{1}{2}$ " (0.64 cm to 1.3 cm) long. The outer cone is not as distinct as the inner cone. Natural gas flames do not have yellow tips.

4. Close the broiler door and turn the knob to "OFF."
5. Refer to the "Complete Installation" section to complete this procedure.

SÉCURITÉ DE LA CUISINIÈRE

Votre sécurité et celle des autres est très importante.

Nous donnons de nombreux messages de sécurité importants dans ce manuel et sur votre appareil ménager. Assurez-vous de toujours lire tous les messages de sécurité et de vous y conformer.



Voici le symbole d'alerte de sécurité.

Ce symbole d'alerte de sécurité vous signale les dangers potentiels de décès et de blessures graves à vous et à d'autres.

Tous les messages de sécurité suivront le symbole d'alerte de sécurité et le mot "DANGER" ou "AVERTISSEMENT". Ces mots signifient :

⚠ DANGER

Risque possible de décès ou de blessure grave si vous ne suivez pas immédiatement les instructions.

⚠ AVERTISSEMENT

Risque possible de décès ou de blessure grave si vous ne suivez pas les instructions.

Tous les messages de sécurité vous diront quel est le danger potentiel et vous disent comment réduire le risque de blessure et ce qui peut se produire en cas de non-respect des instructions.

AVERTISSEMENT : Si les renseignements dans ce manuel ne sont pas exactement observés, un incendie ou une explosion peut survenir, causant des dommages au produit, des blessures ou un décès.

- Ne pas entreposer ni utiliser de l'essence ou d'autres vapeurs ou liquides inflammables à proximité de cet appareil ou de tout autre appareil électroménager.
- **QUE FAIRE DANS LE CAS D'UNE ODEUR DE GAZ :**
 - Ne pas tenter d'allumer un appareil.
 - Ne pas toucher à un commutateur électrique.
 - Ne pas utiliser le téléphone se trouvant sur les lieux.
 - Appeler immédiatement le fournisseur de gaz à partir du téléphone d'un voisin. Suivre ses instructions.
 - À défaut de joindre votre fournisseur de gaz, appeler les pompiers.
- L'installation et l'entretien doivent être effectués par un installateur qualifié, une agence de service ou le fournisseur de gaz.

AVERTISSEMENT : L'odorat ne permet pas toujours la détection d'une fuite de gaz.

Les distributeurs de gaz recommandent l'emploi d'un détecteur de gaz (homologation UL ou CSA).

Pour d'autre information, contacter le fournisseur de gaz local.

En cas de détection d'une fuite de gaz, exécuter les instructions "Que faire dans le cas d'une odeur de gaz".

Dans l'État du Massachusetts, les instructions d'installation suivantes sont applicables :

- Les travaux d'installation et réparation doivent être exécutés par un plombier ou tuyauteur qualifié ou licencié, ou par le personnel qualifié d'une entreprise licenciée par l'État du Massachusetts.
- Si une vanne à boisseau sphérique est utilisée, elle doit comporter une manette "T".
- Si un conduit de raccordement flexible est utilisé, sa longueur ne doit pas dépasser 3 pi.

⚠ AVERTISSEMENT

Risque de basculement

Un enfant ou une personne adulte peut faire basculer la cuisinière ce qui peut causer un décès.

Joindre la bride antibasculement au pied arrière de la cuisinière.

Joindre de nouveau la bride antibasculement si la cuisinière est déplacée.

Le non-respect de ces instructions peut causer un décès ou des brûlures graves aux enfants et aux adultes.



EXIGENCES D'INSTALLATION

Outillage et composants

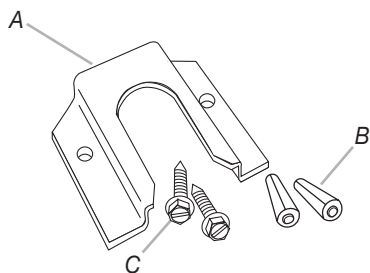
Rassembler les outils et composants nécessaires avant d'entreprendre l'installation. Lire et observer les instructions fournies avec chacun des outils énumérés ci-dessous.

Outils nécessaires

- Niveau
- Clé à cliquet de $\frac{3}{8}$ "
- Mètre ruban
- Tournevis à lame plate
- Tournevis Phillips
- Perceuse manuelle ou électrique
- Clé ou pince
- Clé mixte de 7 mm
- Clé à tuyauterie
- Foret de $\frac{1}{8}$ " (3,2 mm) (pour planchers en bois)
- Foret de maçonnerie à pointe carburée de $\frac{3}{16}$ " (4,8 mm) (pour planchers en béton/céramique)
- Composé d'étanchéité des raccords filetés – résistant au gaz propane
- Solution non-corrosive de détection des fuites

Pièces fournies

Vérifier que toutes les pièces sont présentes.



A. Bride antibasculement

B. Chevilles en plastique (2)

C. Vis à tête Phillips n° 10 x 1" (2,5 cm) (2)

- La bride antibasculement doit être solidement fixée au sous-plancher. La profondeur du plancher peut nécessiter des vis plus longues pour l'ancrage de la bride dans le sous-plancher. Des vis plus longues sont disponibles auprès de votre quincaillerie locale.

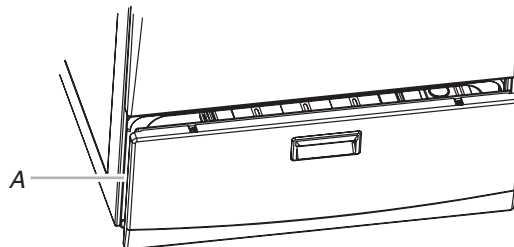
Pièces nécessaires

Vérifier les codes locaux et consulter le fournisseur de gaz. Vérifier l'alimentation en gaz existante. Voir la section "Spécifications de l'alimentation en gaz".

Exigences d'emplacement

IMPORTANT : Observer les dispositions de tous les codes et règlements en vigueur. Ne pas obstruer le flux de combustion et de ventilation.

- C'est à l'installateur qu'incombe la responsabilité de respecter les distances de séparation exigées, spécifiées sur la plaque signalétique de l'appareil. La plaque signalétique se trouve sur le châssis du four, derrière le côté gauche de la porte du grill.



- La cuisinière doit être installée à un endroit pratique dans la cuisine.
- Dans le cas d'une cuisinière encastrée, l'enceinte doit recouvrir complètement les côtés et l'arrière de la cuisinière.
- Afin de supprimer le risque de brûlures ou d'incendie lié au fait de se pencher au-dessus des plaques de cuisson chaudes, les placards de rangement au-dessus des plaques doivent être évités. Si des placards de rangement sont envisagés, le risque peut être réduit par l'installation d'une hotte de cuisine dépassant le bas des placards d'au moins 5" (12,7 cm) horizontalement.
- Toutes les ouvertures dans le mur ou le plancher de l'emplacement d'installation de la cuisinière doivent être scellées.
- Ne pas réaliser de scellement entre la cuisinière et les placards latéraux.
- Respecter les dimensions indiquées pour les ouvertures à découper dans les placards. Ces dimensions constituent les valeurs minimales des dégagements.
- La bride antibasculement de plancher doit être installée. Pour l'installation de la bride antibasculement fournie avec la cuisinière, voir la section "Installation de la bride antibasculement".

- Une source d'électricité avec liaison à la terre est nécessaire. Voir la section "Spécifications électriques". Un raccordement adéquat à l'alimentation en gaz doit être disponible. Voir la section "Spécifications de l'alimentation en gaz".
- Contacter un installateur de revêtement de sol qualifié, qui pourra déterminer si le revêtement de sol peut résister à une température d'au moins 200°F (93°C).
- Dans le cas de l'installation de la cuisinière sur une moquette, placer sous la cuisinière un tapis isolant ou une plaque de contreplaqué de ¼" (0,64 cm).

IMPORTANT : Afin d'éviter d'endommager les placards, consulter le constructeur de la maison ou le fabricant des placards pour déterminer si les matériaux utilisés peuvent subir un changement de couleur, une déstratification ou d'autres dommages. Ce four a été conçu conformément aux exigences des normes UL et CSA International et respecte les températures maximales permises de 194° (90°C) pour les placards en bois.

Résidence mobile – Spécifications additionnelles à respecter lors de l'installation

L'installation de cette cuisinière doit être conforme aux dispositions de la norme Manufactured Home Construction and Safety Standard, Title 24 CFR, Part 3280 (anciennement Federal Standard for Mobile Home Construction and Safety, Title 24, HUD Part 280). Lorsque cette norme n'est pas applicable, l'installation doit satisfaire aux critères de la norme Standard for Manufactured Home Installations, ANSI A225.1/NFPA 501A ou aux dispositions des codes locaux.

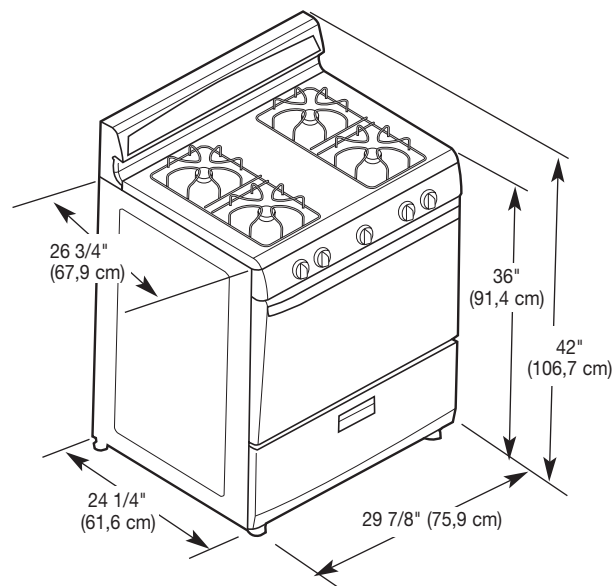
Au Canada, l'installation de cette cuisinière doit satisfaire aux stipulations de la version la plus récente de la norme CAN/CSA-A240 ou des codes locaux en vigueur.

Autres critères à respecter pour une installation en résidence mobile :

- Dans le cas de l'installation de cette cuisinière dans une résidence mobile, la cuisinière doit être fixée au plancher durant tout déplacement du véhicule. Toute méthode de fixation de la cuisinière est adéquate dans la mesure où elle satisfait aux critères des normes mentionnées ci-dessus.

Dimensions du produit

Cuisinière autoportante

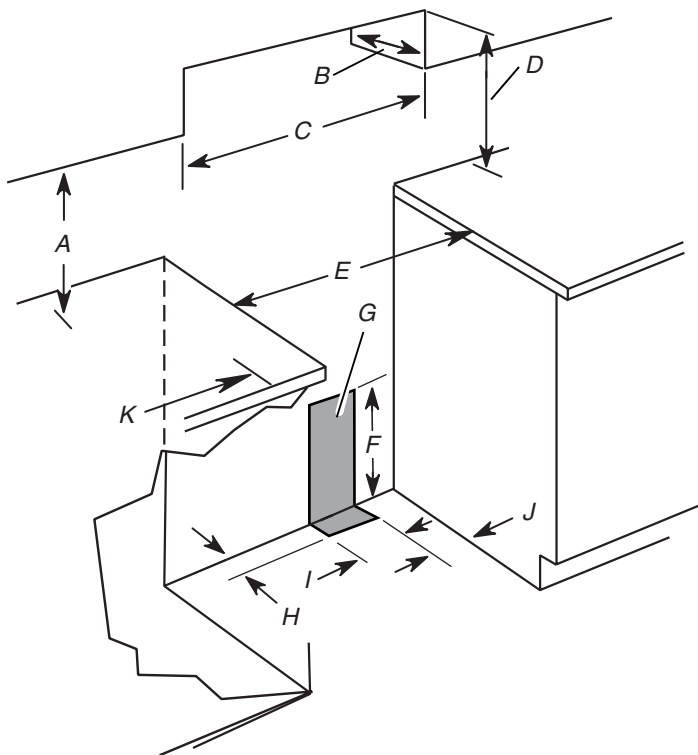


Distances de dégagement à respecter

Les dimensions de l'espace d'installation entre les placards sont valides pour l'installation entre des placards de 24" (61,0 cm) de profondeur avec plan de travail de 25" (64,0 cm) de profondeur et 36" (91,4 cm) de hauteur.

Si la profondeur du placard est supérieure à 24" (61,0 cm), le châssis du four doit se prolonger au-delà des façades de placards de ½" (13,0 mm) minimum.

IMPORTANT : En cas d'installation d'une hotte ou d'un ensemble hotte/micro-ondes au-dessus de la cuisinière, suivre les instructions fournies avec la hotte concernant les dimensions de dégagement à respecter au-dessus de la surface de la table de cuisson.



- A. 18" (45,7 cm) de dégagement minimal entre le placard latéral supérieur et le plan de travail
- B. Profondeur maximale des placards supérieurs : 13" (33 cm)
- C. Largeur de l'ouverture 30" (76,2 cm) min.
- D. Pour la distance libre minimale vers la partie supérieure de la table de cuisson, voir la REMARQUE*.
- E. Largeur minimale de l'ouverture : 30 1/8" (76,5 cm)
- F. 17" (43,2 cm)
- G. Il est recommandé d'effectuer l'installation de la canalisation de gaz rigide dans cette zone grisée.
- H. 2" (5,1 cm)
- I. 4" (10 cm)
- J. 2" (5,1 cm)
- K. Dégagement minimal de 2" (5,1 cm) entre les deux côtés de la cuisinière et la paroi latérale ou d'autres matériaux combustibles.

***REMARQUE :** Distance de séparation minimale de 24" (61 cm) lorsque le fond d'un placard de bois ou de métal est protégé par une planche ignifugée d'au moins 1/4" (0,64 cm) recouverte d'une feuille métallique d'épaisseur égale ou supérieure à : acier calibre 28 MSG, acier inoxydable 0,015" (0,4 mm), aluminium 0,024" (0,6 mm), ou cuivre 0,020" (0,5 mm).

Distance de séparation minimale de 30" (76,2 cm) entre le dessus de la table de cuisson et le fond d'un placard de bois ou de métal non protégé.

IMPORTANT : Les matériaux de certains placards et certains matériaux de construction ne sont pas conçus pour résister à la chaleur générée par le four durant la cuisson au four ou l'autonettoyage. Consulter le constructeur de la maison ou le fabricant des placards pour déterminer si les matériaux utilisés pourraient subir un changement de couleur, une déstratification ou d'autres dommages.

⚠️ AVERTISSEMENT



Risque d'explosion

Utiliser une canalisation neuve d'arrivée de gaz approuvée par la CSA International.

Installer un robinet d'arrêt.

Bien serrer chaque organe de connexion de la canalisation de gaz.

En cas de connexion au gaz propane, demander à une personne qualifiée de s'assurer que la pression de gaz ne dépasse pas 36 cm (14 po) de la colonne d'eau.

Par personne qualifiée, on comprend :

le personnel autorisé de chauffage,
le personnel autorisé d'une compagnie de gaz, et
le personnel d'entretien autorisé.

Le non-respect de ces instructions peut causer un décès, une explosion ou un incendie.

Observer toutes les prescriptions des codes et règlements en vigueur.

IMPORTANT : L'installation doit satisfaire aux critères de tous les codes et règlements locaux. En l'absence de code local, l'installation doit satisfaire aux prescriptions de la plus récente édition du : National Fuel Gas Code ANSI Z223.1 (American National Standard), ou CAN/CGA B149 (édition la plus récente).

IMPORTANT : Les tests de fuite de la cuisinière doivent être effectués selon les instructions du fabricant.

Type de gaz

Gaz naturel :

La conception de cette cuisinière a été homologuée par CSA International pour l'alimentation au gaz naturel, ou pour l'alimentation au propane après conversion adéquate.

- Cette cuisinière a été configurée à l'usine pour l'alimentation au gaz naturel. Voir la section "Conversions pour changement de gaz". La plaque signalétique des numéros de modèle et de série, située sur le côté droit du cadre de la porte du four, derrière le tiroir de remisage, indique les types de gaz utilisables. Si le type de gaz disponible n'est pas mentionné, consulter le fournisseur de gaz local.

Conversion pour l'alimentation au propane :

L'opération de conversion doit être exécutée par un technicien qualifié.

Consulter le fournisseur de gaz avant toute conversion de l'appareil pour l'utilisation d'un type de gaz qui n'est pas mentionné sur la plaque signalétique. Voir la section "Conversions pour changement de gaz".

Canalisation d'alimentation en gaz

- Installer une canalisation d'alimentation en gaz rigide de $\frac{3}{4}$ " (1,9 cm) jusqu'à l'emplacement d'installation de la cuisinière. L'emploi d'une canalisation de plus petit diamètre ou plus longue peut susciter une déficience du débit d'alimentation. Pour l'alimentation au propane, le diamètre des canalisations doit être de $\frac{1}{2}$ " (1,3 cm) ou plus. Généralement, le fournisseur de gaz propane détermine les matériaux à utiliser et la dimension appropriée.

REMARQUE : On doit utiliser un composé d'étanchéité des tuyauteries résistant à l'action du gaz propane. Ne pas utiliser de ruban TEFLON[†].

Raccord métallique flexible pour appareil ménager :

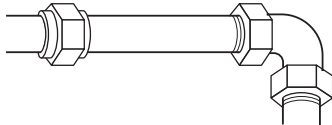
- Si les codes locaux le permettent, pour raccorder la cuisinière à la canalisation de gaz, on peut utiliser un raccord métallique flexible pour appareil ménager neuf (homologation CSA) de 4 à 5 pi (122 à 152,4 cm) de longueur, de diamètre interne de $\frac{1}{2}$ " (1,3 cm) ou $\frac{3}{4}$ " (1,9 cm).



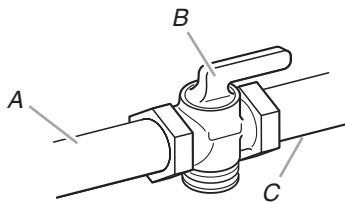
- Un raccord avec filetage mâle de $\frac{1}{2}$ " (1,3 cm) est nécessaire pour la connexion sur le raccord à filetage femelle à l'entrée du détendeur de l'appareil.
- Veiller à ne pas déformer ou endommager le tube métallique flexible lors d'un déplacement de la cuisinière.

Raccordement par une canalisation rigide :

On doit utiliser une combinaison de raccords pour réaliser un raccordement rigide entre la cuisinière et la canalisation de gaz. La canalisation rigide doit se trouver au même niveau que le raccord de connexion de la cuisinière. On doit veiller à ne soumettre les sections de canalisation d'alimentation et de combustible à aucun effort de traction ou flexion, pour que la cuisinière soit d'aplomb et correctement alignée.



- Robinet d'arrêt nécessaire : La canalisation d'alimentation doit comporter un robinet d'arrêt manuel. Le robinet d'arrêt manuel doit être séparé de l'ouverture de la cuisinière, mais doit se trouver dans la même pièce, par exemple dans un placard adjacent. La canalisation doit se trouver en un endroit facilement accessible pour les manœuvres d'ouverture/fermeture. Ne pas entraver l'accès au robinet d'arrêt manuel. Le robinet d'arrêt manuel est prévu pour ouvrir ou fermer l'alimentation en gaz de la cuisinière.



A. Canalisation d'alimentation en gaz
B. Robinet d'arrêt en position d'ouverture
C. Vers la cuisinière

Détendeur

Le détendeur fourni avec cette cuisinière doit être utilisé. Pour un fonctionnement correct, la pression d'alimentation du détendeur doit être comme suit :

Gaz naturel :

Pression minimum : 5" (colonne d'eau)

Pression maximum : 14" (colonne d'eau)

Gaz propane :

Pression minimum : 11" (colonne d'eau)

Pression maximum : 14" (colonne d'eau)

En cas d'incertitude quant à la pression d'alimentation à établir, contacter le fournisseur de gaz local.

Débit thermique des brûleurs

Les débits thermiques indiqués sur la plaque signalétique correspondent à une altitude d'utilisation inférieure ou égale à 2000 pi (609,6 m).

Lorsque l'appareil est utilisé à une altitude supérieure à 2000 pi (609,6 m), on doit réduire le débit thermique indiqué de 4 % pour chaque tranche de 1000 pi (304,8 m) au-dessus du niveau de la mer (pas applicable au Canada).

Tests de pressurisation de la canalisation de gaz

On doit tester le détendeur sous une pression supérieure d'au moins 1" à la pression de la tubulure de distribution indiquée sur la plaque signalétique.

Pressurisation à une pression supérieure à $\frac{1}{2}$ lb/po² (14" - colonne d'eau)

Lors de tout test de pressurisation de ce système à une pression supérieure à $\frac{1}{2}$ lb/po² (3,5 kPa), on doit déconnecter la cuisinière et son robinet d'arrêt individuel de la canalisation de gaz.

Pressurisation à une pression égale ou inférieure à $\frac{1}{2}$ lb/po² (14" - colonne d'eau)

Lors de tout test de pressurisation de la canalisation de gaz à une pression égale ou inférieure à $\frac{1}{2}$ lb/po² (3,5 kPa), on doit isoler la cuisinière de la canalisation de gaz par fermeture de son robinet d'arrêt manuel individuel.

[†]TEFLON est une marque déposée de E.I. Du Pont De Nemours et Compagnie.

INSTRUCTIONS D'INSTALLATION

Déballage de la cuisinière

⚠ AVERTISSEMENT

Risque du poids excessif

Utiliser deux ou plus de personnes pour déplacer et installer la cuisinière.

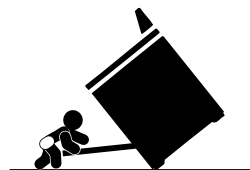
Le non-respect de cette instruction peut causer une blessure au dos ou d'autre blessure.

1. Ne pas se servir de la poignée de la porte du four pour soulever ou déplacer la cuisinière.
2. Ôter les matériaux d'emballage, le ruban adhésif et la pellicule protectrice de la cuisinière. Garder la base du carton sous la cuisinière.
3. Retirer les grilles de four et le sachet de pièces de l'intérieur du four.
4. Pour placer la cuisinière sur sa partie postérieure, prendre les 4 coins de protection du carton d'emballage. Empiler l'un des coins sur un autre. Répéter avec les 2 autres coins. Les disposer sur le plancher dans le sens de la longueur derrière la cuisinière à titre de support de la cuisinière lorsque celle-ci est placée sur sa partie postérieure.
5. À l'aide d'au moins deux personnes, saisir fermement la cuisinière et la déposer délicatement sur sa partie postérieure, sur les coins de protection.
6. Tirer fermement sur la partie inférieure du carton pour le retirer.
7. Utiliser une clé à molette pour desserrer les pieds de nivellement. Ajuster les pieds de nivellement à la hauteur nécessaire. Les pieds de nivellement peuvent être desserrés pour ajouter une hauteur maximale de 1" (2,5 cm). Une longueur minimum de $\frac{3}{16}$ " (0,5 cm) est nécessaire pour engager la bride antibasculement.
REMARQUE : Si un ajustement de la hauteur est effectué alors que la cuisinière est debout, incliner la cuisinière vers l'arrière pour ajuster les pieds avant, puis incliner la cuisinière vers l'avant pour ajuster les pieds arrière.
8. Placer le carton ou le panneau de fibre dur devant la cuisinière. À l'aide d'au moins 2 personnes, relever la cuisinière et la placer sur le carton ou le panneau de fibre dur.

Installation de la bride antibasculement

Contactez un installateur de revêtements de sol qualifié pour connaître la meilleure méthode de perçage des trous de montage à travers le revêtement de sol existant.

⚠ AVERTISSEMENT



Risque de basculement

Un enfant ou une personne adulte peut faire basculer la cuisinière ce qui peut causer un décès.

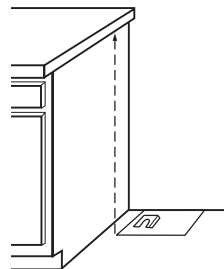
Joindre la bride antibasculement au pied arrière de la cuisinière.

Joindre de nouveau la bride antibasculement si la cuisinière est déplacée.

Le non-respect de ces instructions peut causer un décès ou des brûlures graves aux enfants et aux adultes.

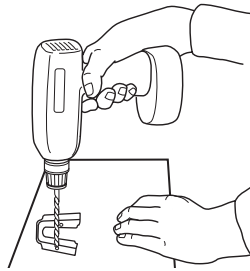
Avant de déplacer la cuisinière, la faire glisser sur sa base d'expédition, un carton ou un panneau de fibres dur.

1. Enlever le gabarit de la trousse de la bride antibasculement (à l'intérieur de la cavité du four) ou de la couverture arrière du présent manuel.
2. Placer le gabarit sur le sol dans l'ouverture du placard de sorte que le bord gauche se trouve contre le placard, et le bord supérieur contre la paroi arrière, la plinthe ou le placard.
3. Fixer le gabarit avec du ruban adhésif.
4. Si le plan de travail n'est pas en affleurement avec le bord de l'ouverture du placard, aligner le gabarit avec le surplomb.



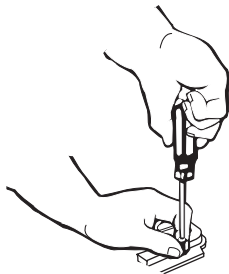
Si l'ouverture du placard est plus large que ce qui est spécifié dans la section "Exigences d'emplacement", ajuster le gabarit de sorte que la cuisinière soit au centre de l'ouverture du placard.

- Pour monter la bride antibasculement sur un plancher de bois, percer deux trous de $\frac{1}{8}$ " (3,2 mm) aux emplacements indiqués sur le gabarit de la bride. Enlever le gabarit du plancher.



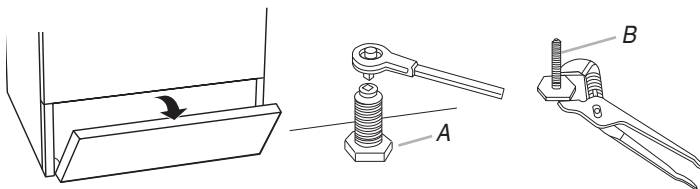
Pour monter la bride antibasculement sur un plancher en béton ou en céramique, utiliser un foret à maçonnerie de $\frac{3}{16}$ " (0,48 cm) pour percer 2 trous aux emplacements indiqués sur le gabarit de la bride. Enlever le gabarit du sol.

- Enfoncer les chevilles en plastique dans les trous à l'aide d'un marteau.
- Aligner les trous de la bride antibasculement avec les trous dans le plancher. Fixer la bride antibasculement avec les vis fournies.



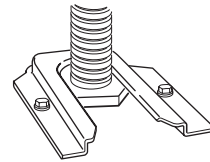
En fonction de l'épaisseur du plancher, des vis plus longues peuvent s'avérer nécessaires pour fixer la bride au sous-plancher. Des vis plus longues sont disponibles auprès de votre quincaillerie locale.

- Rapprocher la cuisinière le plus près possible de l'ouverture afin de faciliter le raccordement final au gaz. Retirer la base d'expédition, le carton ou le panneau de fibres dur de sous la cuisinière.
- Ouvrir la porte du grill. Utiliser une clé à cliquet de $\frac{3}{8}$ " pour abaisser les pieds de nivellement arrière d'un demi-tour. Utiliser une clé ou une pince pour abaisser les pieds de nivellement avant d'un demi-tour.



A. Pied de nivellement arrière
B. Pied de nivellement avant

- Ajuster les pieds de nivellement à la hauteur nécessaire. Les pieds de nivellement peuvent être desserrés pour ajouter une hauteur maximale de 1" (2,5 cm). Une longueur minimale de $\frac{3}{16}$ " (0,48 cm) est nécessaire pour engager la bride antibasculement.
- Déplacer la cuisinière vers son emplacement final en s'assurant que le pied de nivellement arrière glisse dans la bride antibasculement.



- En cas d'installation de la cuisinière dans une résidence mobile, il est impératif de fixer la cuisinière au sol. Toute méthode de fixation de la cuisinière est adéquate dans la mesure où elle satisfait aux normes indiquées dans la section "Exigences d'emplacement".
- Poursuivre l'installation de la cuisinière en utilisant les instructions d'installation suivantes.

Raccordement au gaz

⚠ AVERTISSEMENT



Risque d'explosion

Utiliser une canalisation neuve d'arrivée de gaz approuvée par la CSA International.

Installer un robinet d'arrêt.

Bien serrer chaque organe de connexion de la canalisation de gaz.

En cas de connexion au gaz propane, demander à une personne qualifiée de s'assurer que la pression de gaz ne dépasse pas 36 cm (14 po) de la colonne d'eau.

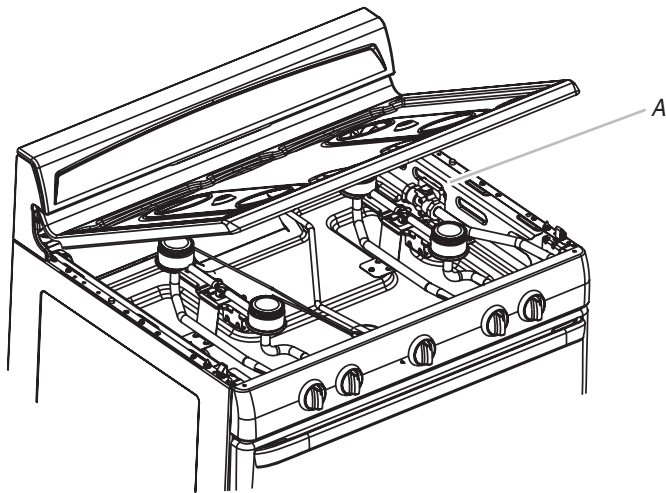
Par personne qualifiée, on comprend :

le personnel autorisé de chauffage,
le personnel autorisé d'une compagnie de gaz, et
le personnel d'entretien autorisé.

Le non-respect de ces instructions peut causer un décès, une explosion ou un incendie.

- Ôter les grilles.
- Soulever la table de cuisson par les deux coins avant jusqu'à ce que les tiges de supports latérales s'emboîtent.

- Localiser le détendeur dans la boîte du brûleur.



A. Détendeur

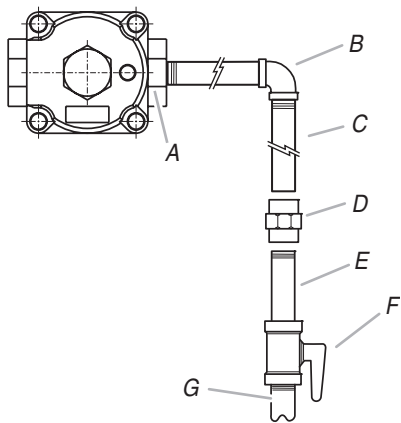
IMPORTANT : Ne pas enlever le détendeur.

- Tous les raccords doivent passer par dessus et à travers la boîte du brûleur et doivent continuer en plongeant à l'arrière de la cuisinière.

Raccordement typique à une canalisation rigide

On doit utiliser une combinaison de raccords pour raccorder la cuisinière à la canalisation de gaz existante. La configuration des connexions sera variable, selon les caractéristiques de la canalisation d'alimentation (type, taille et emplacement).

- Sur chaque connexion fileté, appliquer un composé d'étanchéité résistant au propane.
- Utiliser une clé pour serrer tous les raccords entre la cuisinière et la canalisation de gaz.

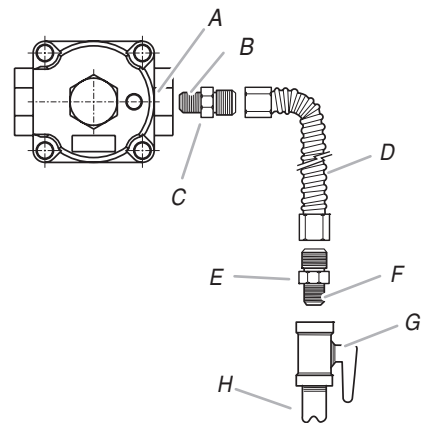


A. Raccord à compression du détendeur
B. Coude à 90°
C. Tuyau en fer noir

D. Raccord
E. Raccord droit
F. Robinet d'arrêt manuel
G. Tuyau de gaz de 1/2" ou 3/4"

Raccordement typique par raccord flexible

- Utiliser une clé mixte et une pince pour fixer le raccord flexible sur les raccords d'adaptation. S'assurer que le raccord n'est pas déformé.

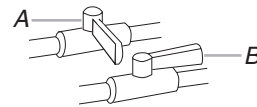


A. Raccord à compression du détendeur
B. Utiliser un composé d'étanchéité pour tuyauteries.
C. Adaptateur
D. Raccord flexible

E. Adaptateur
F. Utiliser un composé d'étanchéité pour tuyauteries
G. Robinet d'arrêt manuel
H. Tuyau de gaz de 1/2" ou 3/4"

Achever le raccordement

- Ouvrir le robinet d'arrêt manuel sur la canalisation de gaz. Le robinet est ouvert lorsque la poignée est parallèle au conduit d'alimentation en gaz.

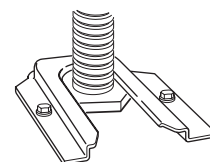


A. Robinet fermé
B. Robinet ouvert

- Vérifier tous les raccordements en les badigeonnant d'une solution de détection des fuites non corrosive approuvée. L'apparition de bulles indique la présence d'une fuite. Réparer toute fuite éventuelle.
- Repousser les tiges de supports latérales vers l'arrière et abaisser lentement la table de cuisson jusqu'à ce qu'elle s'emboîte.
- Placer les brûleurs, les chapeaux de brûleurs et les grilles sur la table de cuisson.

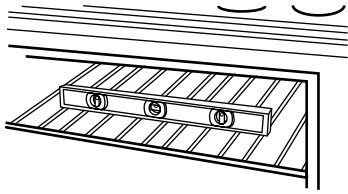
Vérification de l'emplacement de la bride antibasculement

- S'assurer que la bride antibasculement est installée :
 - Vérifier que la bride antibasculement est bien fixée au plancher.
 - Faire glisser de nouveau la cuisinière vers l'arrière de façon à ce que le pied arrière de la cuisinière se trouve sous la bride antibasculement.



Réglage de l'aplomb de la cuisinière

1. Placer une grille dans le four.
2. Placer un niveau sur la grille et contrôler l'aplomb de la cuisinière, d'abord transversalement, puis dans le sens avant/arrière.



3. Si la cuisinière n'est pas d'aplomb, la tirer de nouveau de façon à ce que le pied de nivellement arrière se dégage de la bride antibasculement. Utiliser une clé à cliquet de $\frac{3}{8}$ " et une pince multiprise pour régler les pieds de nivellement vers le haut ou vers le bas jusqu'à ce que la cuisinière soit d'aplomb.
4. Repousser la cuisinière pour la mettre en place.
5. Vérifier que le pied de nivellement arrière est engagé dans la bride antibasculement.

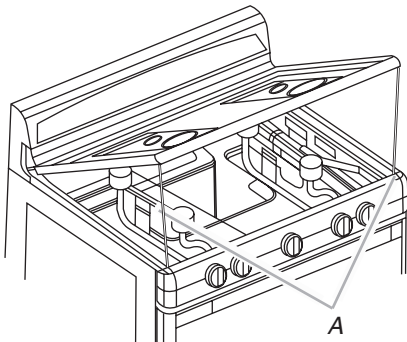
REMARQUE : La cuisinière doit être d'aplomb pour que les résultats de cuisson au four soient satisfaisants.

Contrôle du fonctionnement

Pour allumer les témoins de veilleuse :

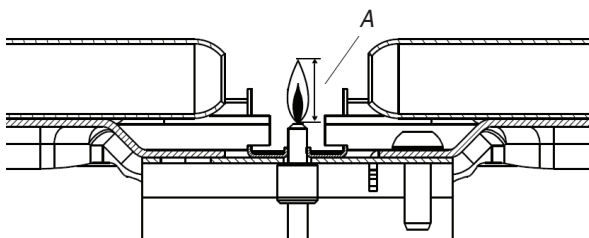
Avant d'utiliser la cuisinière, les veilleuses doivent être allumées. Elles restent allumées une fois les brûleurs éteints.

1. S'assurer que toutes les commandes sont désactivées et que le four et la table de cuisson sont froids.
2. Retirer les grilles de surface de la table de cuisson.
3. Soulever la table de cuisson par les deux coins avant jusqu'à ce que les tiges de supports latérales s'emboîtent.



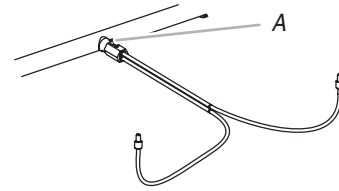
A. Tiges de supports latérales

4. Avec une allumette, allumer les deux témoins de veilleuses des brûleurs.
5. Les flammes des veilleuses de surface doivent être d'une hauteur de 0,4" à 0,6" (1 à 1,5 cm).



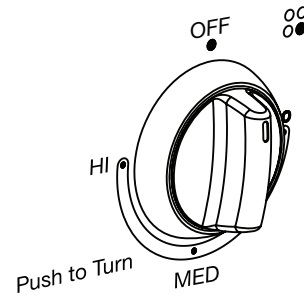
A. 0,4" à 0,6" (1 à 1,5 cm)

6. Si la flamme de veilleuse doit être ajustée, utiliser un tournevis à lame plate et tourner la vis de réglage jusqu'à ce que la flamme atteigne la taille désirée.

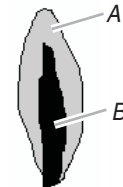


A. Vis de réglage

7. Repousser les tiges de supports latérales vers l'arrière et abaisser lentement la table de cuisson jusqu'à ce qu'elle s'emboîte.
8. Enfoncer et tourner chaque bouton de commande de brûleur de surface à la position "HI" (élevé). La flamme doit s'allumer en 4 secondes maximum.



9. Si les brûleurs de surface ne s'allument pas, répéter les étapes 3 à 6.
10. Inspecter chaque brûleur de table de cuisson pour vérifier que les flammes sont d'apparence et de taille correctes. Le petit cône interne doit comporter une flamme bleue très distincte de $\frac{1}{4}$ " (0,64 cm) à $\frac{1}{2}$ " (1,3 cm) de long. Le cône externe n'est pas aussi distinct que le cône interne.

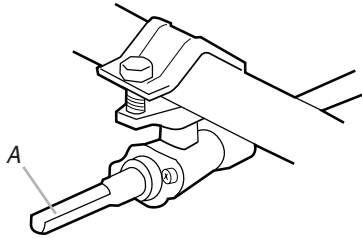


A. Cône externe
B. Cône interne

11. Une fois que le brûleur s'est allumé, tourner rapidement le bouton de commande à la position "LO" (basse). Si la flamme disparaît, tourner le bouton de commande à la position "OFF" (arrêt).
12. Inspecter chaque brûleur de table de cuisson pour vérifier que les flammes sont basses. Une flamme basse doit consister en une flamme bleue constante et de taille minimale. La taille de la flamme doit être de $\frac{1}{4}$ " à $\frac{3}{8}$ " (0,64 cm à 0,95 cm) de hauteur.

Si la flamme basse doit être réglée :

1. Tourner le bouton de commande au réglage "Lo" (bas) et ôter le bouton de commande.
2. Insérer un tournevis à petite lame plate dans la tige de réglage. Tourner la vis de réglage de la tige pour obtenir la plus petite flamme possible (sans qu'elle ne s'éteigne) lorsque la commande d'un brûleur froid est tournée rapidement de "HI" (élevé) à "Lo" (faible). Tourner vers la droite pour diminuer la hauteur de la flamme. Tourner vers la gauche pour augmenter la hauteur de la flamme. Répéter pour les autres brûleurs de la table de cuisson si nécessaire.

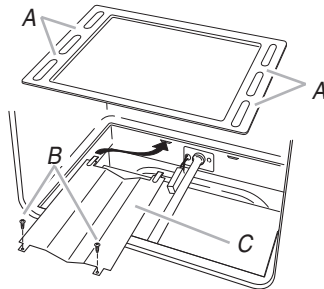


A. Tige de réglage

3. Remettre en place le bouton de commande.

Contrôle du fonctionnement du four/ brûleur du grill

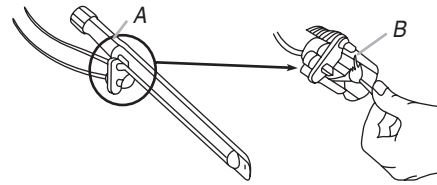
1. S'assurer que toutes les commandes sont désactivées et que le four est froid.
2. Ouvrir la porte du four pour retirer les grilles et la plaque du fond du four.
3. Retirer les attaches soutenant le répartiteur de flammes. Soulever le répartiteur de flammes pour le dégager.



A. Plaque du fond du four
B. Attaches
C. Répartiteur de flammes

4. Localiser le témoin de veilleuse sur le côté gauche du brûleur du four.

5. Enfoncer le bouton de commande du four et le tenir enfoncé puis allumer le témoin de veilleuse avec une allumette.

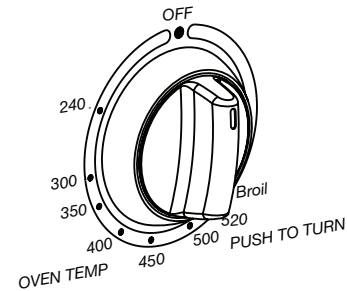


A. Brûleur du four
B. Veilleuse du four

6. Tenir le bouton de commande du four enfoncé pendant 10 secondes pour que la veilleuse reste allumée.
7. Si le témoin de veilleuse s'éteint après que l'on ait relâché le bouton, répéter les étapes 5 et 6.
8. Lorsque la veilleuse du four reste allumée, réinstaller le répartiteur de flammes, le plateau du fond du four et les grilles.

REMARQUE : Le témoin de veilleuse reste allumé une fois le four éteint. Le brûleur du four doit s'allumer la prochaine fois que l'on sélectionne une température sur le bouton de commande du four. Si le brûleur du four ne s'allume pas, répéter les étapes précédentes pour l'allumage des témoins de veilleuse du four.

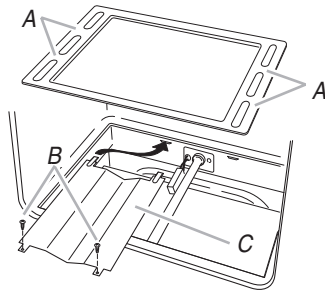
9. Ouvrir la porte du grill.
10. Enfoncer et tourner le bouton de commande du four à 350°F. La veilleuse du four doit à présent être plus grosse que la flamme qui brûle contre une petite ampoule métallique. Le brûleur du four doit s'allumer en 20 à 40 secondes; cet intervalle est normal. Le robinet du four nécessite un certain temps pour s'ouvrir et laisser le gaz circuler.



11. Inspecter le brûleur du four pour vérifier que la flamme est d'apparence et de taille correctes. La flamme doit être de 1/2" (1,3 cm) de longueur, avec un cône interne bleu-vert. La partie externe doit être bleu foncé et doit avoir une apparence propre et lisse. Il ne doit y avoir ni pointes jaunes, (pas assez d'air), ni souffle ou soulèvement de la flamme (trop d'air).

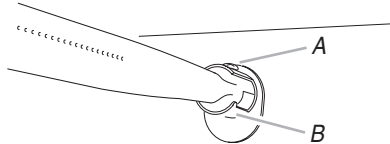
Si la flamme doit être réglée :

1. Éteindre le four. Attendre que le brûleur du four ait refroidi.
2. Ouvrir la porte du four et retirer les grilles du four, la plaque du four ainsi que le répartiteur de flammes et les mettre de côté.



A. Plaque du fond du four
B. Attaches
C. Répartiteur de flammes

3. Localiser la virole de réglage de l'admission d'air située près de la paroi arrière du four et desserrer la vis de la virole de réglage de l'admission d'air.



A. Vis de la virole de réglage de l'admission d'air
B. Virole de réglage de l'admission d'air

4. Réglage de l'admission d'air.
5. Rallumer le four et vérifier que les flammes sont d'apparence et de taille correctes. Si la flamme n'est toujours pas bien réglée, éteindre le four, attendre que le brûleur du four ait refroidi et répéter l'étape 4 jusqu'à ce que la flamme soit correctement réglée.
6. Lorsque la flamme a été correctement réglée, éteindre le four et attendre que le brûleur refroidisse.
7. Serrer la vis de la virole de réglage.
8. Remettre en place le répartiteur de flammes et la plaque du four. Réinstaller les grilles du four et fermer la porte du four.

Achever l'installation

1. Vérifier que toutes les pièces sont maintenant installées. S'il reste une pièce, passer en revue les différentes étapes pour découvrir laquelle aurait été oubliée.
2. Vérifier la présence de tous les outils.
3. Éliminer/recycler tous les matériaux d'emballage.
4. Vérifier que la cuisinière est d'aplomb. Voir "Réglage de l'aplomb de la cuisinière".
5. Utiliser une solution d'eau tiède et de nettoyant ménager doux pour éliminer tout résidu de cire laissé par les matériaux d'emballage. Sécher parfaitement avec un linge doux. Pour plus d'informations, consulter la section "Entretien de la cuisinière" dans le Guide d'utilisation et d'entretien.
6. Lire le Guide d'utilisation et d'entretien.
7. Mettre en marche les brûleurs de surface et le four. Pour des instructions spécifiques concernant l'utilisation de la cuisinière, consulter le Guide d'utilisation et d'entretien.

Si la cuisinière ne fonctionne pas, contrôler ce qui suit :

- Consulter la section "Dépannage" dans le Guide d'utilisation et d'entretien.
- Après 5 minutes de fonctionnement de la cuisinière, vérifier la chaleur. Si aucune émanation de chaleur n'est perceptible, éteindre la cuisinière et vérifier que le robinet d'arrêt de la canalisation de gaz est ouvert.
 - Si le robinet d'arrêt de la canalisation de gaz est fermé, l'ouvrir, puis répéter le test de 5 minutes décrit ci-dessus.
 - Si le robinet d'arrêt d'alimentation en gaz est ouvert, appuyer sur le bouton CANCEL (annulation) sur le tableau de commande du four et contacter un électricien qualifié.

Si vous avez besoin d'assistance ou de service :

Consulter la section "Assistance ou service" du Guide d'utilisation et d'entretien ou contacter le marchand chez qui vous avez acheté votre cuisinière.

CONVERSIONS POUR CHANGEMENT DE GAZ

⚠ AVERTISSEMENT



Risque d'explosion

Utiliser une canalisation neuve d'arrivée de gaz approuvée par la CSA International.

Installer un robinet d'arrêt.

Bien serrer chaque organe de connexion de la canalisation de gaz.

En cas de connexion au gaz propane, demander à une personne qualifiée de s'assurer que la pression de gaz ne dépasse pas 36 cm (14 po) de la colonne d'eau.

Par personne qualifiée, on comprend :

le personnel autorisé de chauffage,
le personnel autorisé d'une compagnie de gaz, et
le personnel d'entretien autorisé.

Le non-respect de ces instructions peut causer un décès, une explosion ou un incendie.

Les conversions pour changement de gaz naturel à propane ou de propane à gaz naturel doivent être effectuées par un installateur qualifié.

Conversion pour l'alimentation au propane

⚠ AVERTISSEMENT



Risque de basculement

Un enfant ou une personne adulte peut faire basculer la cuisinière ce qui peut causer un décès.

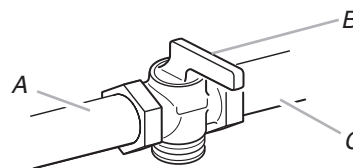
Joindre la bride antibasculement au pied arrière de la cuisinière.

Joindre de nouveau la bride antibasculement si la cuisinière est déplacée.

Le non-respect de ces instructions peut causer un décès ou des brûlures graves aux enfants et aux adultes.

Conversion du détendeur

1. Placer le robinet d'arrêt manuel à la position "fermée".

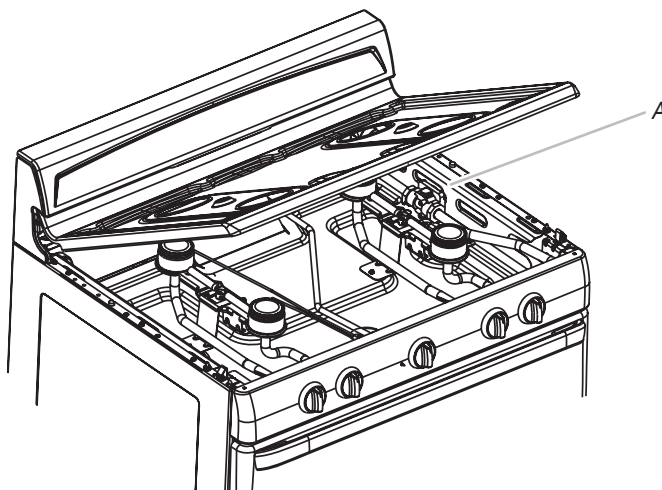


A. Vers la cuisinière

B. Robinet d'arrêt manuel à la position "fermée".

C. Canalisation d'alimentation en gaz

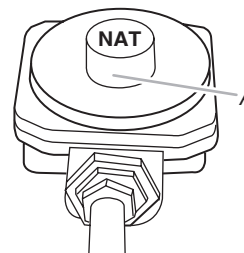
2. Ôter les grilles.
3. Soulever la table de cuisson par les deux coins avant jusqu'à ce que les tiges de supports latérales s'emboîtent.
4. Localiser le détendeur.



A. Détendeur

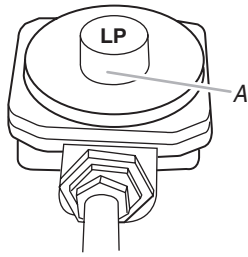
IMPORTANT : Ne pas enlever le détendeur.

5. À l'aide d'un tournevis à lame plate, retirer le chapeau en laiton et le retourner de façon à ce que "LP" soit visible.



A. Chapeau en laiton

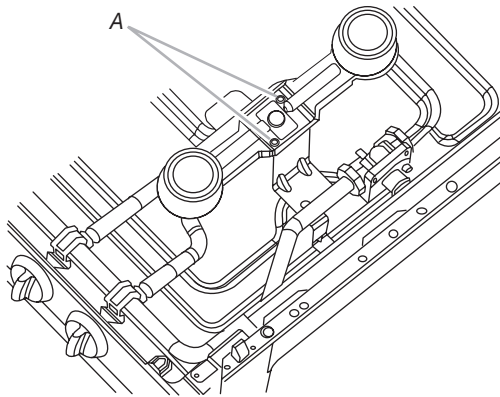
- Réinstaller le chapeau et le serrer avec le tournevis à lame plate.



A. Chapeau

Conversion des brûleurs de surface

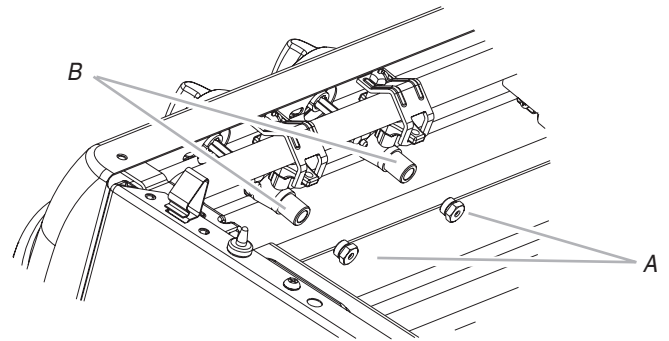
- Retirer les grilles de la table de cuisson
- Soulever la table de cuisson par les deux coins avant jusqu'à ce que les tiges de supports latéraux s'emboîtent.
- Ôter les vis maintenant chaque brûleur double.



A. Vis de brûleurs doubles

- Soulever chaque brûleur et le faire glisser vers l'arrière pour le retirer.
- Les mettre de côté.
- Chercher les gicleurs pour gaz propane pour les brûleurs supérieurs dans le sachet de documentation inclus avec la cuisinière. Quatre gicleurs pour gaz propane portent la mention "67".
- Retirer les gicleurs pour gaz naturel du robinet à l'aide d'une clé mixte de $\frac{3}{8}$ " (0,95 cm).

- Installer les gicleurs pour gaz propane dans les robinets.

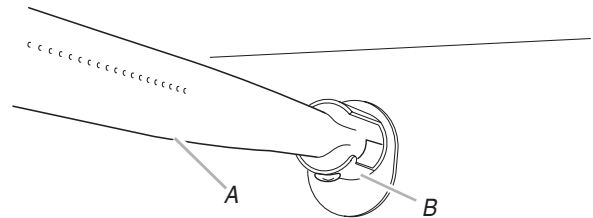


A. Gicleurs
B. Robinets

- Placer les gicleurs pour gaz naturel dans le sachet de pièces pour réutilisation ultérieure et le conserver avec le sachet de documentation.
- Réinstaller les grilles.

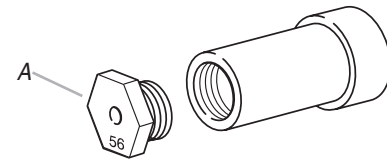
Conversion du brûleur du four

- Ouvrir la porte du four et retirer les grilles du four, la plaque du four ainsi que le répartiteur de flammes et les mettre de côté.
- Soulever le brûleur du four. Le gicleur se trouve derrière la virole de réglage d'admission d'air du brûleur du four.



A. Admission d'air

- Repérer le gicleur pour gaz propane portant la mention "56" dans le sachet de documentation fourni avec la cuisinière.
- Utiliser une clé mixte de $\frac{3}{8}$ " pour enlever le gicleur du brûleur pour gaz naturel.
- Installer le gicleur pour gaz propane portant le numéro "56".



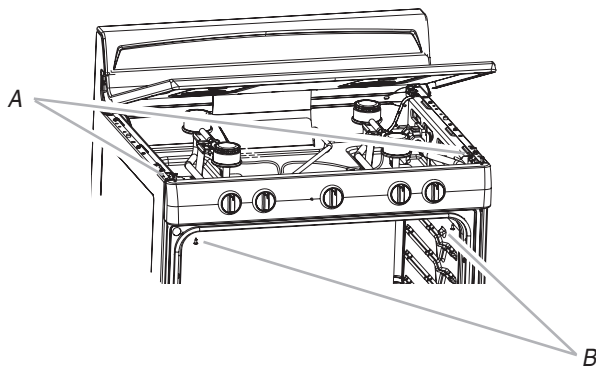
A. Gicleur pour gaz propane portant la mention "56".

IMPORTANT : Ne pas serrer excessivement.

- Placer le brûleur du four pour gaz naturel et les gicleurs de brûleurs de table de cuisson pour gaz naturel dans le sachet de pièces en plastique et le conserver avec le sachet de documentation pour une éventuelle réutilisation ultérieure.
- Remettre en place le brûleur du four.
- Remettre en place les grilles du four, la plaque du four et le répartiteur de flammes.

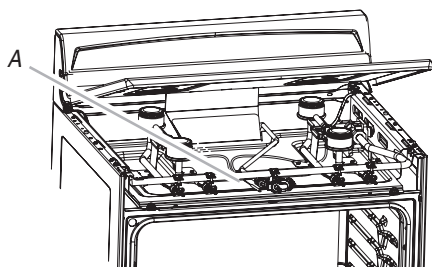
Conversion des veilleuses et des vis de dérivation

1. Retirer les boutons de commande et les mettre de côté.
2. Ôter les grilles supérieures.
3. Soulever la table de cuisson par les deux coins avant jusqu'à ce que les tiges de supports latérales s'emboîtent.
4. Ouvrir la porte du four.
5. Localiser les deux attaches supérieures et les deux attaches inférieures puis les retirer avec un tournevis Phillips.



A. Attaches supérieures
B. Attaches inférieures

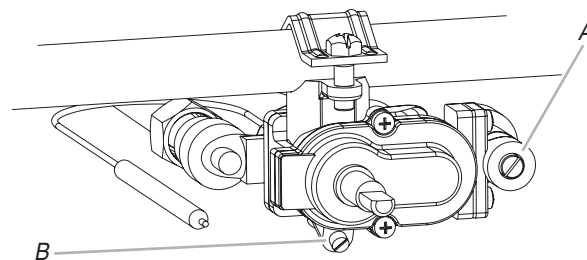
6. Mettre le panneau avant de côté et localiser le thermostat du four.



A. Thermostat du four

7. Localiser la vis de dérivation pour gaz propane dans le sachet de documentation fourni avec la cuisinière. L'une des vis de dérivation pour gaz propane porte la mention "48".
8. À l'aide d'un tournevis à lame plate, retirer la vis de dérivation pour gaz naturel en la tournant dans le sens antihoraire.

9. À l'aide d'un tournevis à lame plate, installer la vis de dérivation pour gaz propane en la tournant dans le sens horaire.



A. Vis de veilleuse
B. Vis de dérivation

10. Localiser la vis de veilleuse pour gaz propane dans le sachet de documentation fourni avec la cuisinière. L'une des vis de veilleuse pour gaz propane porte la mention "15".
11. À l'aide d'un tournevis à lame plate, retirer la vis de veilleuse pour gaz naturel en la tournant dans le sens antihoraire.
12. À l'aide d'un tournevis à lame plate, installer la vis de veilleuse pour gaz propane en la tournant dans le sens horaire.
13. Réinstaller le panneau avant et visser les attaches du sommet et du bas pour les fixer.
14. Réinstaller les boutons de commande. Repousser les tiges de supports latérales vers l'arrière et abaisser lentement la table de cuisson jusqu'à ce qu'elle s'emboîte. Fermer la porte du four.

Terminer la conversion

1. Pour le raccordement correct de la cuisinière à la canalisation de gaz, se reporter à la section "Raccordement au gaz".
2. Tourner le robinet d'arrêt de gaz manuel de la canalisation à la position d'ouverture.
3. Pour l'allumage correct du brûleur, l'utilisation et le réglage des flammes sur le brûleur, se reporter à la section "Contrôle du fonctionnement".

IMPORTANT : Il peut être nécessaire de modifier le réglage des flammes à la position du débit thermique minimum "LO" pour chaque brûleur de la table de cuisson.

Il est très important de vérifier l'établissement de flammes correctes sur les brûleurs de la table de cuisson et du four. Le petit cône interne doit comporter une flamme bleue très distincte de 1/4" (0,64 cm) à 1/2" (1,3 cm) de long. Le cône externe n'est pas aussi distinct que le cône interne. Les flammes d'un brûleur alimenté au propane comportent une pointe légèrement jaune.

4. Fermer la porte du gril et tourner le bouton à "OFF" (arrêt).
5. Consulter la section "Achever l'installation" pour terminer cette procédure.

Conversion au gaz naturel

Conversion du détendeur

⚠ AVERTISSEMENT



Risque de basculement

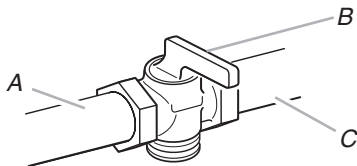
Un enfant ou une personne adulte peut faire basculer la cuisinière ce qui peut causer un décès.

Joindre la bride antibasculement au pied arrière de la cuisinière.

Joindre de nouveau la bride antibasculement si la cuisinière est déplacée.

Le non-respect de ces instructions peut causer un décès ou des brûlures graves aux enfants et aux adultes.

1. Placer le robinet d'arrêt manuel à la position "fermée".

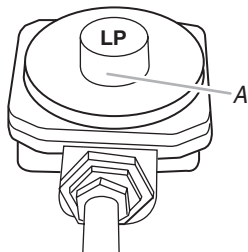


A. Vers la cuisinière

B. Robinet d'arrêt manuel à la position "fermée".

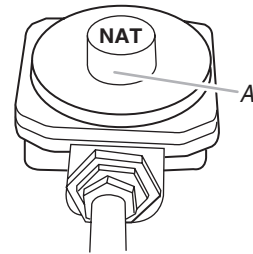
C. Canalisation d'alimentation en gaz

2. Ôter les grilles.
3. Soulever la table de cuisson par les deux coins avant jusqu'à ce que les tiges de supports latérales s'emboîtent.
4. Localiser le détendeur.
IMPORTANT : Ne pas enlever le détendeur.
5. À l'aide d'un tournevis à lame plate, retirer le chapeau en laiton et le retourner de façon à ce que "NAT" soit visible.



A. Chapeau en laiton

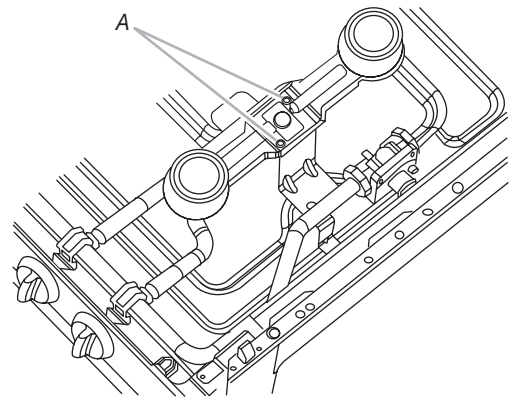
6. Réinstaller le chapeau et le serrer avec le tournevis à lame plate.



A. Chapeau

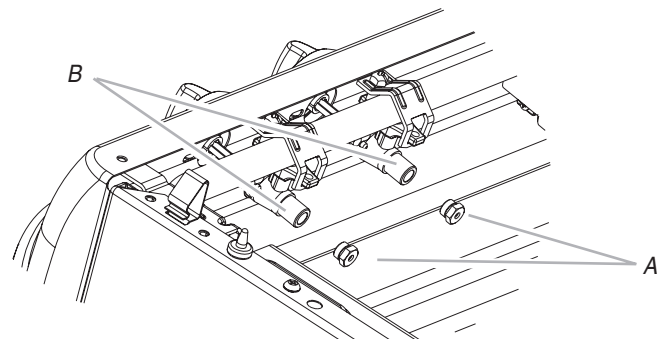
Conversion des brûleurs de surface

1. Retirer les grilles de la table de cuisson
2. Soulever la table de cuisson par les deux coins avant jusqu'à ce que les tiges de supports latérales s'emboîtent.
3. Ôter les vis maintenant chaque brûleur double.



A. Vis de brûleurs doubles

4. Soulever chaque brûleur et le faire glisser vers l'arrière pour le retirer.
5. Les mettre de côté.
6. Localiser les gicleurs pour gaz naturel pour les brûleurs supérieurs dans le sachet de documentation inclus avec la cuisinière. Quatre gicleurs pour gaz naturel portent la mention "1.42".
7. Retirer les gicleurs pour gaz propane du robinet à l'aide d'une clé mixte de 3/8" (0,95 cm).
8. Installer les gicleurs pour gaz naturel dans les robinets.



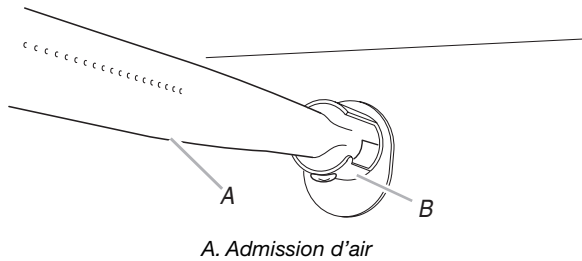
A. Gicleurs

B. Robinets

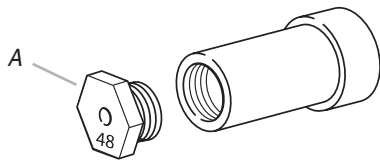
9. Placer les gicleurs pour gaz propane dans le sachet de pièces pour réutilisation ultérieure et le conserver avec le sachet de documentation.
10. Repousser les tiges de supports latérales vers l'arrière et abaisser lentement la table de cuisson jusqu'à ce qu'elle s'emboîte.
11. Réinstaller les grilles.

Conversion du brûleur du four

1. Ouvrir la porte du four et retirer les grilles du four, la plaque du four ainsi que le répartiteur de flammes et les mettre de côté.
2. Soulever le brûleur du four. Le gicleur se trouve derrière la virole de réglage d'admission d'air du brûleur du four.



3. Repérer le gicleur pour gaz naturel portant la mention "48" dans le sachet de documentation fourni avec la cuisinière.
4. Utiliser une clé mixte de 3/8" pour enlever le gicleur du brûleur pour gaz naturel.

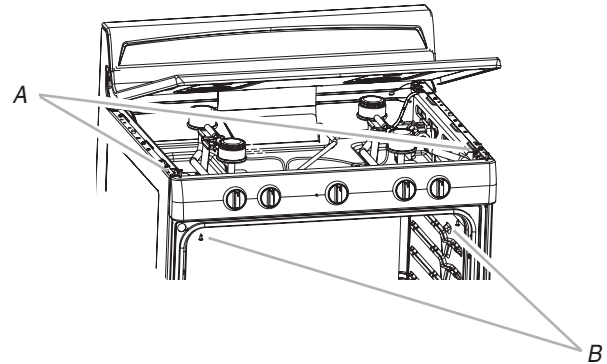


A. Gicleur pour gaz propane portant la mention "48".

5. Installer le gicleur pour gaz naturel portant le numéro "48".
IMPORTANT : Ne pas serrer excessivement.
6. Placer le gicleur du brûleur du four pour gaz propane et les gicleurs de brûleurs de table de cuisson pour gaz naturel dans le sachet de pièces en plastique pour une éventuelle réutilisation ultérieure et conserver le tout avec le sachet de documentation.
7. Remettre en place le brûleur du four.
8. Remettre en place les grilles du four, la plaque du four et le répartiteur de flammes.

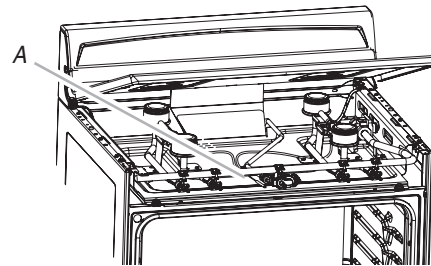
Conversion des veilleuses et des vis de dérivation

1. Retirer les boutons de commande et les mettre de côté.
2. Ôter les grilles supérieures.
3. Soulever la table de cuisson par les deux coins avant jusqu'à ce que les tiges de supports latérales s'emboîtent.
4. Ouvrir la porte du four.
5. Localiser les deux attaches supérieures et les deux attaches inférieures puis les retirer avec un tournevis Phillips.



A. Attaches supérieures
B. Attaches inférieures

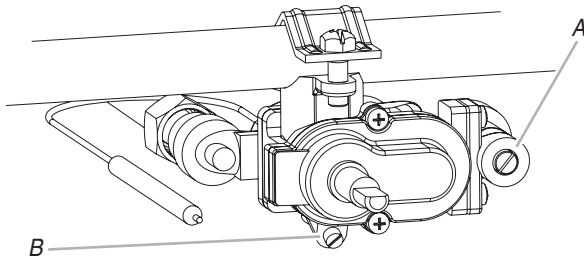
6. Mettre le panneau avant de côté et localiser le thermostat du four.



A. Thermostat du four

7. Localiser la vis de dérivation pour gaz naturel dans le sachet de documentation fourni avec la cuisinière. L'une des vis de dérivation pour gaz propane porte la mention "76".
8. À l'aide d'un tournevis à lame plate, retirer la vis de dérivation pour gaz propane en la tournant dans le sens antihoraire.

9. À l'aide d'un tournevis à lame plate, installer la vis de dérivation pour gaz naturel en la tournant dans le sens horaire.



A. Vis de veilleuse
B. Vis de dérivation

10. Localiser la vis de veilleuse pour gaz naturel dans le sachet de documentation fourni avec la cuisinière. L'une des vis de veilleuse pour gaz naturel porte la mention "94".
11. À l'aide d'un tournevis à lame plate, retirer la vis de veilleuse pour gaz propane en la tournant dans le sens antihoraire.
12. À l'aide d'un tournevis à lame plate, installer la vis de veilleuse pour gaz naturel en la tournant dans le sens horaire.
13. Réinstaller le panneau avant et visser les attaches du sommet et du bas pour les fixer.
14. Réinstaller les boutons de commande. Repousser les tiges de supports latérales vers l'arrière et abaisser lentement la table de cuisson jusqu'à ce qu'elle s'emboîte. Fermer la porte du four.

Terminer la conversion

1. Pour le raccordement correct de la cuisinière à la canalisation de gaz, se reporter à la section "Raccordement au gaz".
2. Tourner le robinet d'arrêt de gaz manuel de la canalisation à la position d'ouverture.
3. Pour l'allumage correct du brûleur, l'utilisation et le réglage des flammes sur le brûleur, se reporter à la section "Contrôle du fonctionnement".

IMPORTANT : Il peut être nécessaire de modifier le réglage des flammes à la position du débit thermique minimum "LO" pour chaque brûleur de la table de cuisson.

Il est très important de vérifier l'établissement de flammes correctes sur les brûleurs de la table de cuisson et du four. Le petit cône interne doit comporter une flamme bleue très distincte de ¼" (0,64 cm) à ½" (1,3 cm) de long. Le cône externe n'est pas aussi distinct que le cône interne. Les flammes d'un brûleur alimenté au gaz naturel ne comportent pas de pointe jaune.

4. Fermer la porte du gril et tourner le bouton à "OFF" (arrêt).
5. Consulter la section "Achever l'installation" pour terminer cette procédure.